



PUMPING STATIONS

PUMPING STATIONS

Model with 1 pump, small flow rate, clean water.

Models with 1 pump and 2 pumps, small flow rate, clean water.

Models with 1 pump and 2 pumps, small flow rate, wastewater.

Models with 1 pump and 2 pumps, small flow rate, wastewater with grinder.



According to EN12050-2



Table of contents

What is a pumping station from Boralit	3
Advantages	3
Functioning	3
Model with 1 pump, small flow rates, clean water	5
Characteristics pumping station	5
Characteristics pump	5
Models with 1 pump and 2 pumps, small flow rates, clean water	6
Characteristics pumping station	6
Characteristics pump	7
Models with 1 pump and 2 pumps, small flow rates, wastewater	10
Characteristics pumping station	10
Characteristics pump	10
Models with 1 pump and 2 pumps, small flow rates, wastewater with grinder	16
Characteristics pumping station	16
Characteristics pump	16
Options	18
Replacement parts	20
Installation requirements	21
Maintenance	23
Warranty	23
Other documents	23
Application form to calculate your pumping station	24

The published rates are exclusive of VAT, and ex works.



WHAT IS A PUMPING STATION FROM BORALIT ?

A pumping station is a pit containing one or two submersible pump(s), what pumps the incoming (waste) water to higher ground sewer or Canal.

They can process rain water, fecal sewage, industrial sewage, domestic waste water etc. However depending on the application, there are different types of pumps applied.

Boralit is an expert in the field of pumps and pumping stations and know for just about any situation or application to advise you of the correct installation.

Boralit has in recent years proved to be a reliable supplier of pumping stations.

ADVANTAGES:

Easy to install because of its light weight

Tanks are easy to clean because nothing sticks on PE. So entering the tank is not necessary.

Guaranteed watertight

Now possibility that roots grow trough the tank.

The tank is corrosion resistant.

Equipped with a plastic cover that must be replaced by a steel ore plastic cover that meets the legislation.

All pumping stations of 850 liter have a welded riser

All pumping stations of 850 liter have a sieve basket at the inlet.

The models with pumps TOP 2, TOP 5, RXm 2/20, RXm 5/40, MCm 10/45, MCm 15/45 are CE approved according to EN12050-2

FUNCTIONING:

Pumping stations with 1 pump, small flow rates, standard version:

The liquid to be pumped enters the tank of 100 liter through the entrance pipe. The tank is equipped with 1 pump with a floater which. The pump as soon as it detects water in the tank. As soon as the water level reaches the minimum level, the floater will descend and the pump will be deactivated.

The pump has a built-in thermal security system. There is no steering system needed. There in no alarm.

The pump is of the Pedrollo TOP 1-type and is standing freely on the bottom of the pumping station.

INCLUDING ONE-WAY VALVE.

Pumping stations with 1 pump, small flow rates, standard version:

The liquid to be pumped enters the tank of 850 liter through the entrance pipe. The tank is equipped with 1 pump and 3 floating switches.

As soon as there is enough water in the tank, the first and second floating switch will be lifted and the pump will be activated. As soon as the level of the water sinks beneath floater nr. 1, this floater will be deactivated and the pump will stop working.



When the liquid level reaches the third floater, the alarm system will be activated.

This pumping station comes with a control unit to which the floaters and the pumps should be connected.

The pumps are of the type Pedrollo TOP 2, TOP 5, RXm 2/0, RXm 5/40, MCm 10/45 and MCm 15/45 and are standing freely on the bottom of the pumping station.

INCLUDING ONE-WAY VALVE and sieve basket.

Pumping stations with 2 pumps, small flow rates, standard version:

The liquid to be pumped enters the tank of 850 liter through the entrance pipe. The tank is equipped with 2 pumps and 3 floating switches.

As soon as there is enough water in the tank, the first and second floating switch will be lifted and pump 1 will be activated. As soon as the level of the water sinks beneath floater nr. 1, this floating switch will be deactivated and pump 1 will stop working. Next time floater 2 is activated, pump 2 will start working.

In case the liquid level reaches floater nr. 3, both pumps will be activated and the alarm system will be activated.

This pumping station comes with a control unit to which the floating switches and the pumps should be connected.

The pumps are of the type Pedrollo TOP 2, TOP 5, RXm 2/20, RXm 5/40, MCm 10/45 and MCm 15/45 and are standing freely on the bottom of the pumping station.

INCLUDING ONE-WAY VALVE and sieve basket.

ATTENTION:

Our pumps are not suitable for pumping following products:

- pebbles
- grease
- pasta
- debris
- construction waste

Please take in that cases the appropriate measures.

Make sure that the installation is properly connected:

- the right floating switches on the right terminals of the control box.
- If the cables be extended:
 - use the right cable type (section, colors, ...)
 - use waterproof Sockets, with suitable cable glands, and pour them with resin
 - make sure that the cables are completely in the cable glands.
 - never leave the ends of the cables in water before connecting.
- Do not change the position of floating switches or the pumps.

Model with 1 pump, small flow rates, clean water.

CHARACTERISTICS PUMPING STATION

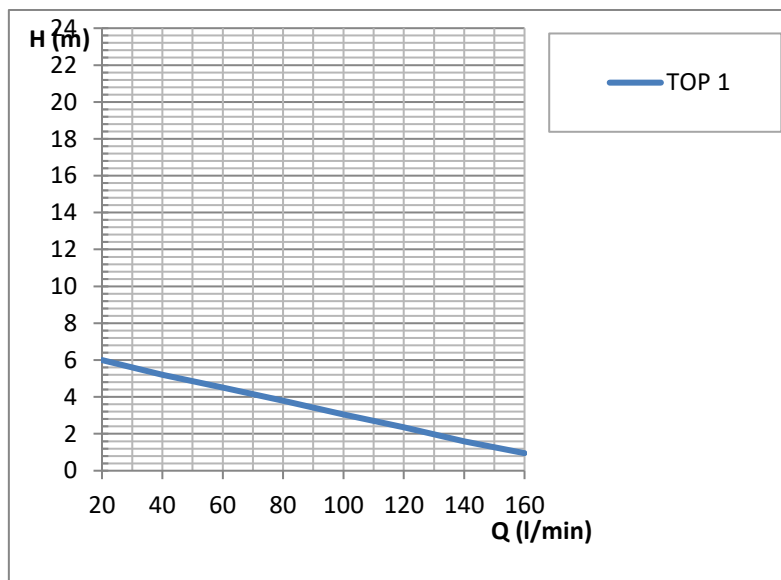
Available in a tank of 100 liter.
 Equipped with 1 pump Pedrollo TOP 1.
 There is now alarm.
 The pump stands on the bottom of the tank.
 One-way valve included.
 For rainwater without pollution, such as emptying sellers, pools, ...

CHARACTERISTICS PUMP

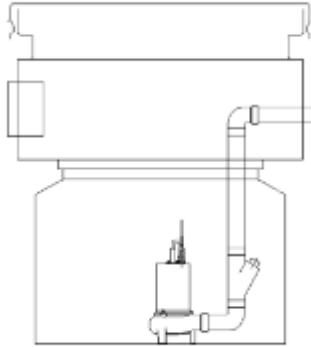
Model PEDROLLO TOP 1

For pumping very slightly polluted water.
 Free opening max: 10 mm.
 Minimum vacuum height: 14 mm.
 Enclosure, filter and impeller in techno polymer.
 Motor mono 230V (50hz), 2900 tr/min, IPX8, class F.
 Double housing, motor cooled by the pumped liquid.
 Axis stainless steel EN 10088-3, internal motor housing stainless steel AISI 304.
 Double seal and oil bath.
 Float switch and thermal safety.
 Delivered with 10 m cable.
 Maximum liquid temperature: 40°C
 Maximum head 6 meter
 Maximum flow rate 160 l/min.

These pumps are suitable for rainwater without pollution, such as emptying sellers, pools, ...



PP1P10/1/Pedrollo



Installation in 15 cm consolidated sand	
Color	Black
Volume	100 liter
Flow rate	See chart
Length	480 mm
Width	480 mm
Height	680 mm
Height in	500 mm
Height out	500 mm
Diameter in	110 mm
Diameter out	50/63 mm
Diameter manhole	500 mm
Weight	16 kg
Number of pumps	1
Voltage	230 V
Power	150 W
Price - D01	
<small>Dimensions are in mm and informative. Subject to alterations.</small>	

Models with 1 pump and 2 pumps, small flow rate, clean water.

CHARACTERISTICS PUMPING STATION

Models:

Available in a tank of 850 liter.
 Equipped with 1 or 2 pumps Pedrollo TOP 2 or TOP 5.
 There is an alarm.
 The pump stands on the bottom of the tank.
 One-way valve included.
 Equipped with a sieve basket at the inlet.
 Standard connection at the outlet PVC pressure 50/63. As an option there is a connection available for reinforced PE with outer 50 or 63 mm.
 Standard with ventilation 110 mm.
 Equipped with control unit with alarm
 Equipped with sieve basket at the inlet
 The installation is class F.
 The maximum temperature of the liquid is 35°
 The control unit is IP44.
 The installation may only be used when there are no ATEX requirements.
 For rainwater without pollution, such as emptying sellers, pools, ...



CHARACTERISTICS PUMP

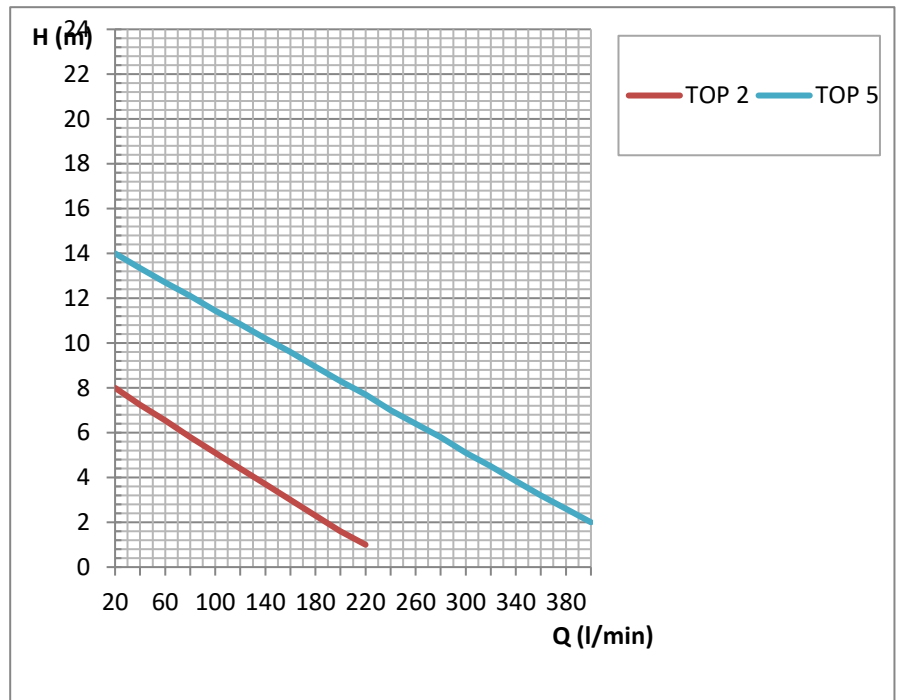
Model PEDROLLO TOP 2

- For pumping very slightly polluted water.
- Free opening max: 10 mm.
- Minimum vacuum height: 14 mm.
- En closure, filter and impeller in techno polymer.
- Motor mono 230V (50hz), 2900 tr/min, IPX8, class F.
- Double housing, motor cooled by the pumped liquid.
- Axis stainless steel EN 10088-3
- internal motor housing stainless steel AISI 304.
- Double seal and oil bath.
- Float switch and thermal safety.
- Delivered with 10 m cable.
- Maximum liquid temperature: 40°C
- Maximum head 8 meter
- Maximum flow rate 220 l/min.

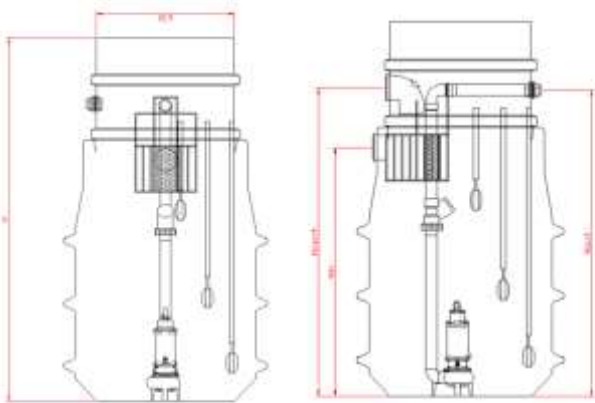
Model PEDROLLO TOP 5

- For pumping very slightly polluted water.
- Free opening max: 10 mm.
- Minimum vacuum height: 14 mm.
- Enclosure, filter and impeller in techno polymer.
- Motor mono 230V (50hz), 2900 tr/min, IPX8, class F.
- Double housing, motor cooled by the pumped liquid.
- Axis stainless steel EN 10088-3
- internal motor housing stainless steel AISI 304.
- Double seal and oil bath
- Float switch and thermal safety
- Delivered with 10 m cable
- Maximum liquid temperature: 40°C
- Maximum head 14 meter
- Maximum flow rate 400 l/min.

These pumps are suitable for rainwater without pollution, such as emptying sellers, pools, ...



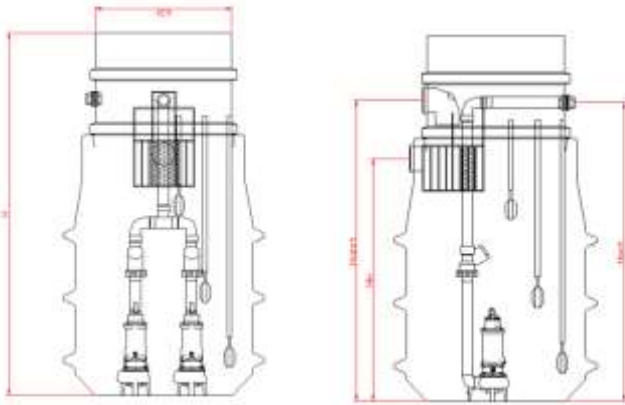
PP850/1/TOP2



Installation in 15 cm consolidated sand	
Color	Black
Volume	850 liter
Flow rate	See chart
Length	930 mm
Width	930 mm
Height	1.650 mm
Height in	1.080mm
Height out	1.320 mm
Height ventilation	1.350 mm
Diameter in	110 mm
Diameter out	50/63 mm
Diameter ventilation	110 mm
Diameter manhole	600 mm
Weight	56 kg
Number of pumps	1
Voltage	230 V
Power	460 W
Price - D01	

Dimensions are in mm and informative. Subject to alterations.

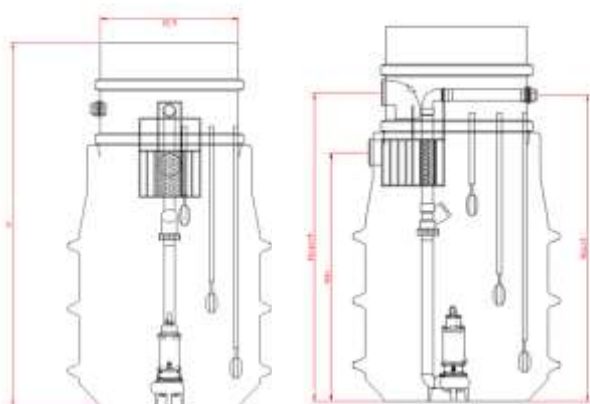
PP850/2/TOP2



Installation in 15 cm consolidated sand	
Color	Black
Volume	850 liter
Flow rate	See chart
Length	930 mm
Width	930 mm
Height	1.650 mm
Height in	1.080mm
Height out	1.320 mm
Height ventilation	1.350 mm
Diameter in	110 mm
Diameter out	50/63 mm
Diameter ventilation	110 mm
Diameter manhole	600 mm
Weight	62 kg
Number of pumps	2
Voltage	230 V
Power	920 W
Price - D01	

Dimensions are in mm and informative. Subject to alterations.

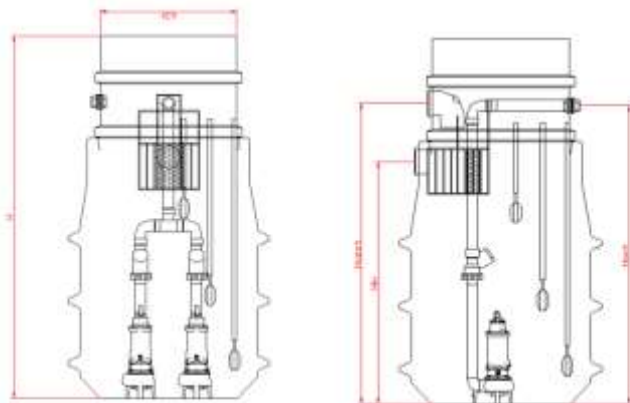
PP850/1/TOP5



Installation in 15 cm consolidated sand	
Color	Black
Volume	850 liter
Flow rate	See chart
Length	930 mm
Width	930 mm
Height	1.650 mm
Height in	1.080mm
Height out	1.320 mm
Height ventilation	1.350 mm
Diameter in	110 mm
Diameter out	50/63 mm
Diameter ventilation	110 mm
Diameter manhole	600 mm
Weight	62 kg
Number of pumps	1
Voltage	230 V
Power	1.500 W
Price - D01	

Dimensions are in mm and informative. Subject to alterations.

PP850/2/TOP5



Installation in 15 cm consolidated sand	
Color	Black
Volume	850 liter
Flow rate	See chart
Length	930 mm
Width	930 mm
Height	1.650 mm
Height in	1.080mm
Height out	1.320 mm
Height ventilation	1.350 mm
Diameter in	110 mm
Diameter out	50/63 mm
Diameter ventilation	110 mm
Diameter manhole	600 mm
Weight	74 kg
Number of pumps	2
Voltage	230 V
Power	3.000 W
Price - D01	

Dimensions are in mm and informative. Subject to alterations.

Models with 1 pump and 2 pumps, small flow rate, wastewater.

CHARACTERISTICS PUMPING STATION

Models:

Available in a tank of 850 liter.

Equipped with 1 or 2 pumps Pedrollo RmX 2/20, RmX 5/40, MCm 10/45 and MCm 15/45.

There is an alarm.

The pump stands on the bottom of the tank.

One-way valve included.

Equipped with a sieve basket at the inlet.

Standard connection at the outlet PVC pressure 50/63. As an option there is a connection available for reinforced PE with outer 50 or 63 mm.

Standard with ventilation 110 mm.

Equipped with control unit with alarm

Equipped with sieve basket at the inlet

The installation is class F.

The maximum temperature of the liquid is 35°

The control unit is IP44.

The installation may only be used when there are no ATEX requirements.

For rainwater without pollution, such as emptying sellers, pools, ...



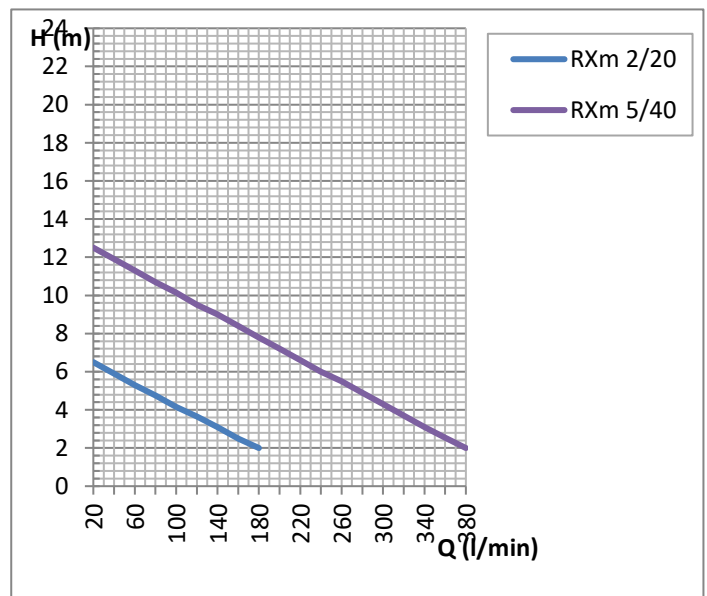
CHARACTERISTICS PUMP

Model PEDROLLO RmX 2/20

- For pumping very slightly polluted water.
- Free opening max: 20 mm.
- Minimum vacuum height: 14 mm.
- Enclosure, filter and impeller in techno polymer.
- Motor mono 230V (50hz), 2900 tr/min, IPX8, class F.
- Double housing, motor cooled by the pumped liquid.
- Axis stainless steel EN 10088-3
- internal motor housing stainless steel AISI 304.
- Double seal and oil bath.
- Float switch and thermal safety.
- Delivered with 10 m cable.
- Maximum liquid temperature: 50°C
- Maximum head 6 meter
- Maximum flow rate 180 l/min.

Model PEDROLLO RmX 5/40

- For pumping very slightly polluted water.
- Free opening max: 40 mm.
- Minimum vacuum height: 14 mm.
- Enclosure, filter and impeller in techno polymer.
- Motor mono 230V (50hz), 2900 tr/min, IPX8, class F.
- Double housing, motor cooled by the pumped liquid.
- Axis stainless steel EN 10088-3
- internal motor housing stainless steel AISI 304.
- Double seal and oil bath
- Float switch and thermal safety.
- Delivered with 10 m cable.
- Maximum liquid temperature: 50°C
- Maximum head 12 meter
- Maximum flow rate 380 l/min.

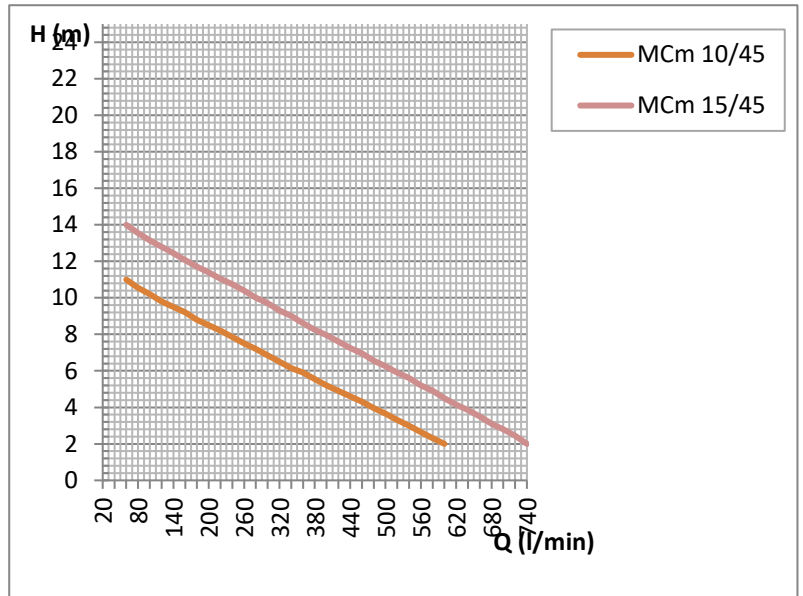


Model PEDROLLO MCm 10/45

- For pumping very slightly polluted water.
- Free opening max: 50 mm.
- Minimum vacuum height: 14 mm.
- Enclosure, filter and impeller in techno polymer.
- Motor mono 230V (50hz), 2900 tr/min, IPX8, class F.
- Double housing, motor cooled by the pumped liquid.
- Axis stainless steel EN 10088-3
- internal motor housing stainless steel AISI 304.
- Double seal and oil bath.
- Float switch and thermal safety.
- Delivered with 10 m cable.
- Maximum liquid temperature: 40°C
- Maximum head 11 meter
- Maximum flow rate 600 l/min.

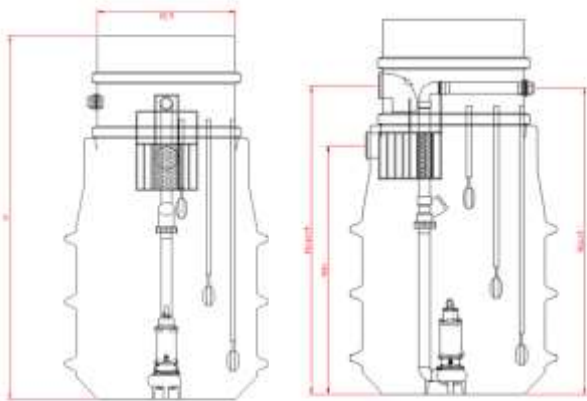
Model PEDROLLO MCm 15/45

- For pumping very slightly polluted water.
- Free opening max: 50 mm.
- Minimum vacuum height: 14 mm.
- Enclosure, filter and impeller in techno polymer.
- Motor mono 230V (50hz), 2900 tr/min, IPX8, class F.
- Double housing, motor cooled by the pumped liquid.
- Axis stainless steel EN 10088-3
- internal motor housing stainless steel AISI 304.
- Double seal and oil bath
- Float switch and thermal safety.
- Delivered with 10 m cable.
- Maximum liquid temperature: 40°C
- Maximum head 14 meter
- Maximum flow rate 750 l/min.



These pumps are suitable for rainwater with small pollution, such as mud in emptying building sellers, water after a water treatment plant, ...

PP850/1/RXm 2/20

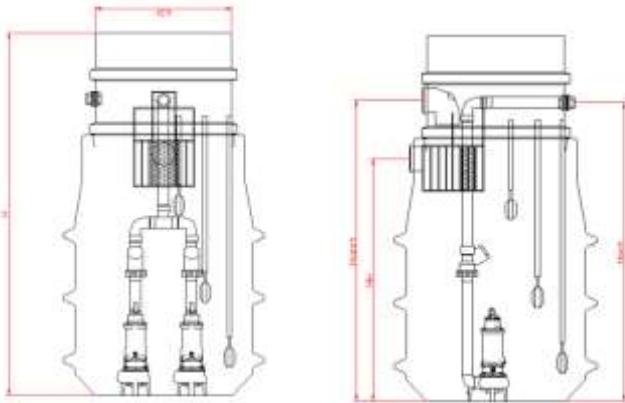


Installation in 15 cm consolidated sand	
Color	Black
Volume	850 liter
Flow rate	See chart
Length	930 mm
Width	930 mm
Height	1.650 mm
Height in	1.080mm
Height out	1.320 mm
Height ventilation	1.350 mm
Diameter in	110 mm
Diameter out	50/63 mm
Diameter ventilation	110 mm
Diameter manhole	600 mm
Weight	57 kg
Number of pumps	1
Voltage	230 V
Power	600 W
Price - D01	

Dimensions are in mm and informative. Subject to alterations.



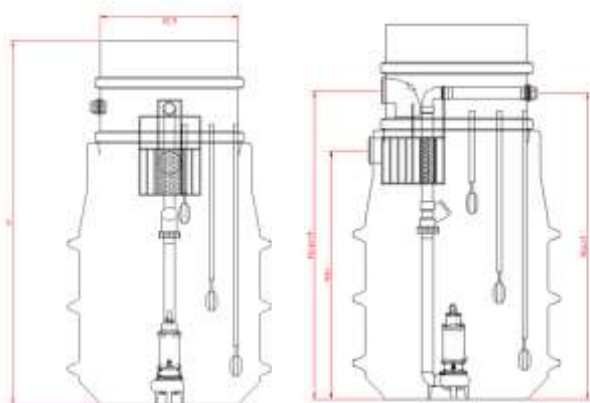
PP850/2/RXm 2/20



Installation in 15 cm consolidated sand	
Color	Black
Volume	850 liter
Flow rate	See chart
Length	930 mm
Width	930 mm
Height	1.650 mm
Height in	1.080mm
Height out	1.320 mm
Height ventilation	1.350 mm
Diameter in	110 mm
Diameter out	50/63 mm
Diameter ventilation	110 mm
Diameter manhole	600 mm
Weight	64 kg
Number of pumps	2
Voltage	230 V
Power	1.200 W
Price - D01	

Dimensions are in mm and informative. Subject to alterations.

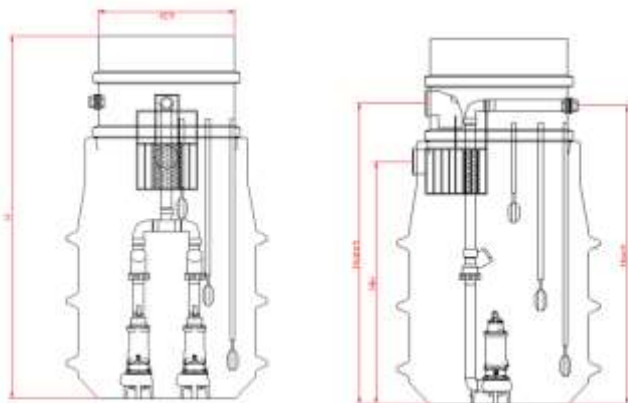
PP850/1/RXm 5/40



Installation in 15 cm consolidated sand	
Color	Black
Volume	850 liter
Flow rate	See chart
Length	930 mm
Width	930 mm
Height	1.650 mm
Height in	1.080mm
Height out	1.320 mm
Height ventilation	1.350 mm
Diameter in	110 mm
Diameter out	50/63 mm
Diameter ventilation	110 mm
Diameter manhole	600 mm
Weight	65 kg
Number of pumps	1
Voltage	230 V
Power	1.500 W
Price - D01	

Dimensions are in mm and informative. Subject to alterations.

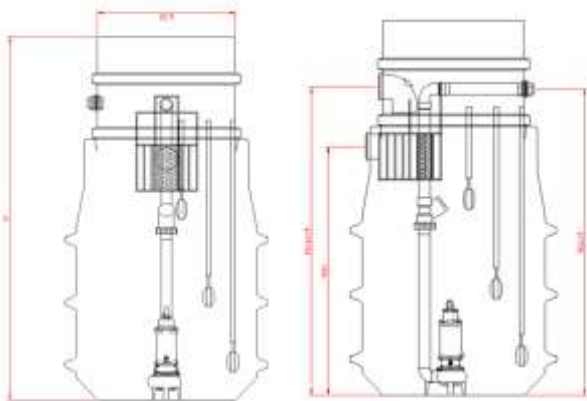
PP850/2/RXm 5/40



Installation in 15 cm consolidated sand	
Color	Black
Volume	850 liter
Flow rate	See chart
Length	930 mm
Width	930 mm
Height	1.650 mm
Height in	1.080mm
Height out	1.320 mm
Height ventilation	1.350 mm
Diameter in	110 mm
Diameter out	50/63 mm
Diameter ventilation	110 mm
Diameter manhole	600 mm
Weight	80 kg
Number of pumps	2
Voltage	230 V
Power	3.000 W
Price - D01	

Dimensions are in mm and informative. Subject to alterations.

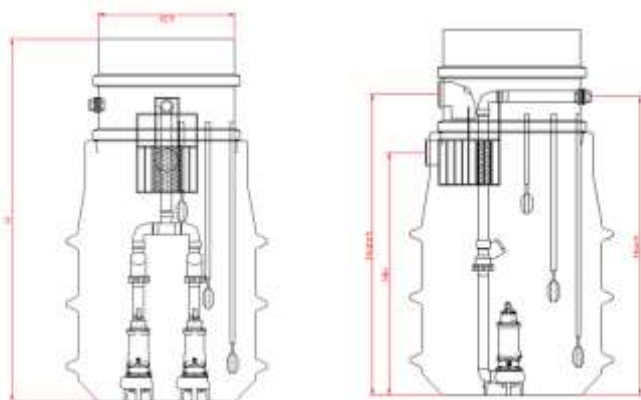
PP850/1/MCm 10/45 **CE**



Installation in 15 cm consolidated sand	
Color	Black
Volume	850 liter
Flow rate	See chart
Length	930 mm
Width	930 mm
Height	1.650 mm
Height in	1.080mm
Height out	1.320 mm
Height ventilation	1.350 mm
Diameter in	110 mm
Diameter out	50/63 mm
Diameter ventilation	110 mm
Diameter manhole	600 mm
Weight	70 kg
Number of pumps	1
Voltage	230 V
Power	750 W
Price - D01	

Dimensions are in mm and informative. Subject to alterations.

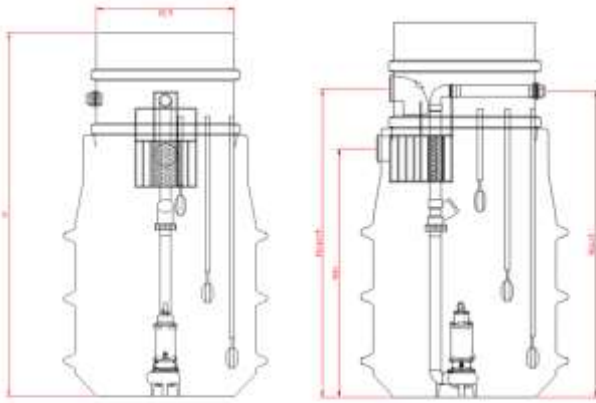
PP850/2/MCm 10/45 **CE**



Installation in 15 cm consolidated sand	
Color	Black
Volume	850 liter
Flow rate	See chart
Length	930 mm
Width	930 mm
Height	1.650 mm
Height in	1.080mm
Height out	1.320 mm
Height ventilation	1.350 mm
Diameter in	110 mm
Diameter out	50/63 mm
Diameter ventilation	110 mm
Diameter manhole	600 mm
Weight	90 kg
Number of pumps	2
Voltage	230 V
Power	1.500 W
Price - D01	

Dimensions are in mm and informative. Subject to alterations.

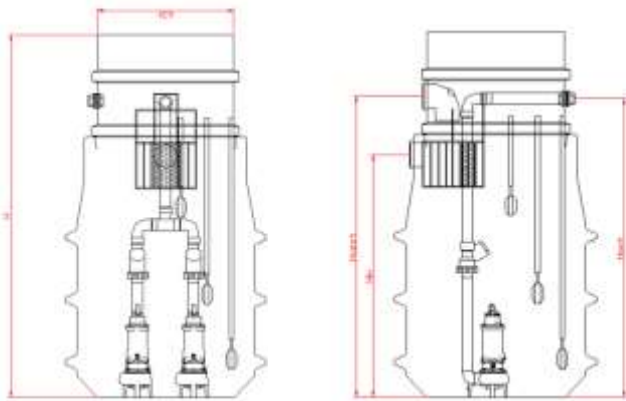
PP850/1/MCm 15/45



Installation in 15 cm consolidated sand	
Color	Black
Volume	850 liter
Flow rate	See chart
Length	930 mm
Width	930 mm
Height	1.650 mm
Height in	1.080mm
Height out	1.320 mm
Height ventilation	1.350 mm
Diameter in	110 mm
Diameter out	50/63 mm
Diameter ventilation	110 mm
Diameter manhole	600 mm
Weight	71 kg
Number of pumps	1
Voltage	230 V
Power	1.100 W
Price - D01	

Dimensions are in mm and informative. Subject to alterations.

PP850/2/MCm 15/45



Installation in 15 cm consolidated sand	
Color	Black
Volume	850 liter
Flow rate	See chart
Length	930 mm
Width	930 mm
Height	1.650 mm
Height in	1.080mm
Height out	1.320 mm
Height ventilation	1.350 mm
Diameter in	110 mm
Diameter out	50/63 mm
Diameter ventilation	110 mm
Diameter manhole	600 mm
Weight	92 kg
Number of pumps	2
Voltage	230 V
Power	2.200 W
Price - D01	

Dimensions are in mm and informative. Subject to alterations.

Models with 1 pump and 2 pumps, small flow rate, wastewater with grinder.

CHARACTERISTICS PUMPING STATION

Models:

Available in a tank of 850 liter.
 Equipped with 1 or 2 pumps Pedrollo Tritus with grinder.
 There is an alarm.
 The pump stands on the bottom of the tank.
 One-way valve included.
 Equipped with a sieve basket at the inlet.
 Standard connection at the outlet PVC pressure 50/63. As an option there is a connection available for reinforced PE with outer 50 or 63 mm.
 Standard with ventilation 110 mm.
 Equipped with control unit with alarm
 Equipped with sieve basket at the inlet
 The installation is class F.
 The maximum temperature of the liquid is 35°
 The control unit is IP44.
 The installation may only be used when there are no ATEX requirements.
 For rainwater without pollution, such as emptying sellers, pools, ...

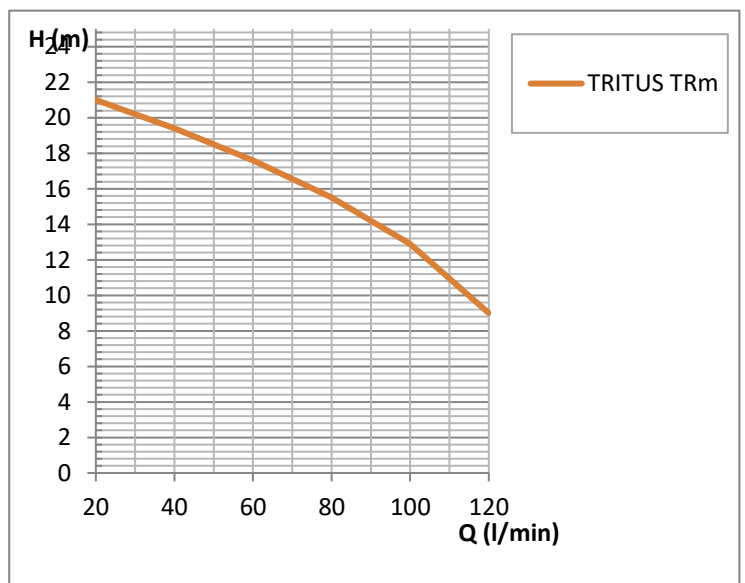


CHARACTERISTICS PUMP

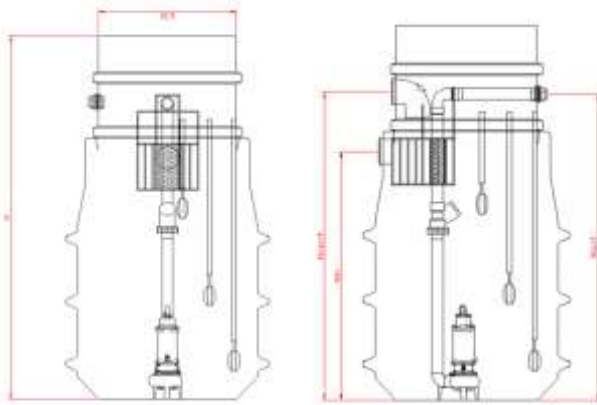
Model PEDROLLO TRITUS TRm

- For pumping very polluted water.
- Free opening max: 20 mm.
- Minimum vacuum height: 50 mm.
- Enclosure in cast iron, filter and impeller in techno polymer.
- Motor mono 230V (50hz), 2900 tr/min, IPX8, class F.
- Axis stainless steel EN 10088-3, internal motor housing in epoxy treated cast iron.
- Double seal and oil bath.
- Float switch and thermal safety.
- Delivered with 10 m cable.
- Maximum liquid temperature: 40°C
- Maximum head 23 meter
- Maximum flow rate 120 l/min.
- Knife in tempered stainless steel.

These pumps are suitable for sewage water with larger particles, such as fecal water from houses or after a septic tank, ...



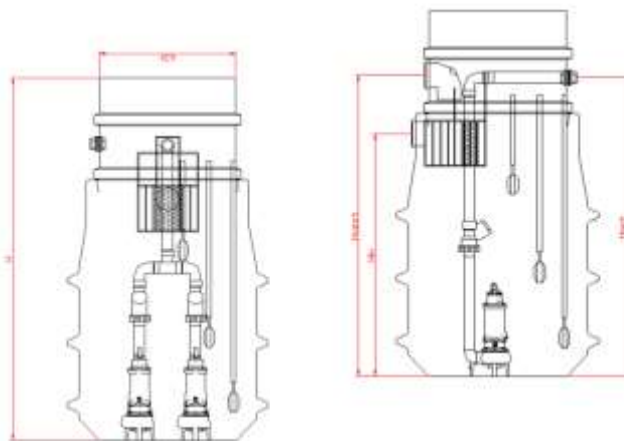
PP850/1/TRITUS



Installation in 15 cm consolidated sand	
Color	Black
Volume	850 liter
Flow rate	See chart
Length	930 mm
Width	930 mm
Height	1.650 mm
Height in	1.080mm
Height out	1.320 mm
Height ventilation	1.350 mm
Diameter in	110 mm
Diameter out	50/63 mm
Diameter ventilation	110 mm
Diameter manhole	600 mm
Weight	73 kg
Number of pumps	1
Voltage	230 V
Power	1.100 W
Price - D01	

Dimensions are in mm and informative. Subject to alterations.

PP850/2/TRITUS

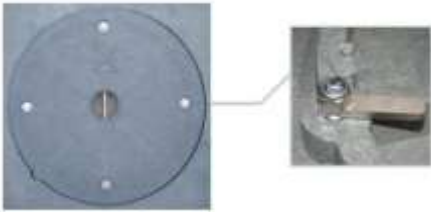


Installation in 15 cm consolidated sand	
Color	Black
Volume	850 liter
Flow rate	See chart
Length	930 mm
Width	930 mm
Height	1.650 mm
Height in	1.080mm
Height out	1.320 mm
Height ventilation	1.350 mm
Diameter in	110 mm
Diameter out	50/63 mm
Diameter ventilation	110 mm
Diameter manhole	600 mm
Weight	96 kg
Number of pumps	2
Voltage	230 V
Power	2.200 W
Price - D01	

Dimensions are in mm and informative. Subject to alterations.

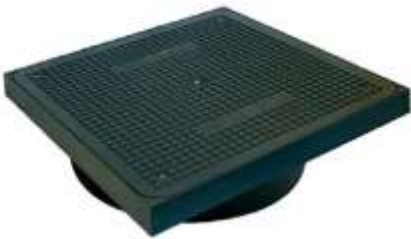
Options

Plastic pedestrian cover Boralit: KDB D



Color	Gray
Length	700 mm
Width	700 mm
Height	145 mm
Diameter opening	590 mm
Weight	20 kg
Price – D02	
<small>Dimensions are in mm and informative. Subject to alterations.</small>	

Plastic watertight cover: B125 Hermelock



Color	Black
Length	714 mm
Width	714 mm
Height	257 mm
Diameter opening	625 mm
Weight	27,1 kg
Price – D02	
<small>Dimensions are in mm and informative. Subject to alterations.</small>	

PVC/PE Link: pressure to reinforced PE 50 mm and 63 mm.



Model	Price – D02
50 mm	
63 mm	

Model	Price – D02
WKP15	

Weir plate: mounted on 1.500 mm.

In some cases the pumping station is installed under a cellar, embedded in the concrete floor.

For this application we can equip our pumping stations with a weir plate.

Swell Seal:

In some cases the pumping station is installed under a cellar, embedded in the concrete floor.

For this application we can equip our pumping stations with a weir plate.

This weir plate is in PE, and not possible to glue.
To solve this, we have a swell seal in our program.

Model	Price – D02
Swell Seal 310 ml	

To do this, you use a standard caulking gun.

This swell seal is available in 310 ml tubes.

Inquiry to our manual with the placement requirements.



GSM module: sends an sms when an alarm message occurs on the pump control

Type	Price – D02
GSM module	

Our pumping stations are equipped with an alarm. It produces a sound when an alarm occurs.

If this controlbox is installed on a place where this signal is not audible, or the installation is under the jurisdiction of an external partner, our GSM module is the best solution.

This module is very easy to program with the desired texts.

The GSM module is delivered without SIM card.

Also see our manual..



Risers:

Pumping stations are generally quite deep in the ground. To still to be able, after placement, to carry out maintenance and repairs, everything should be easily accessible.

So should there be a space created at the height of the pumping station, where a person can perform the necessary work.

We have therefore concrete risers in our range.

There may be more than one on each other, depending on the installation depth.

On the upper riser is a concrete plate available, with an opening for a cast iron lid 60 x 60.

Riser	Concrete
Length	1.200 mm
Width	1.200 mm
Height	1.200 mm
Diameter opening	1.000x1.000 mm
Weight	1.100 kg
Price – D02	
<small>Dimensions are in mm and informative. Subject to alterations.</small>	

Cover	Concrete
Length	1.180 mm
Width	1.180 mm
Height	150 mm
Diameter opening	610x610 mm
Weight	360 kg
Price – D02	
<small>Dimensions are in mm and informative. Subject to alterations.</small>	



Reinforced PE pressure tube (Socarex):

The exit of our pumping stations is equipped as standard with a PVC pressure connection 50/63 mm. This is enough to bridge a short distance.

However, if the discharge point is quite far, it is easier working with a PE tube (also called Socarex) To connect this PE tube on our pumping station, you need the option PVC/PE link.

These tubes, we deliver per roll of 50 and 100 meters, 50 and 63 mm in diameter. Prices quoted are per roll.

Model	Price – D02
50 mm x 50 meters	
50 mm x 100 meters	
63 mm x 50 meters	
63 mm x 100 meters	



PVC/PE streight koppling:

If the distance is longer than 50 metres, you can use a streight PVC/PE link. Available in 50 and 63 mm:



Model	Price – D02
50 mm	
63 mm	

Maintenance contract and/or startup: More info on this can be obtained from our Sales Department.

Replacement parts

Part	Price – D02
Sieve basket	
Pump control 1 pump	
Pump control 2 pumps	
One-way valve for TOP1 en 2, RXm and MCm	
One-way valve for Tritus	
Floating switch	
Pump TOP 1	
Pump TOP 2	
Pump TOP 5	
Pump RXm 2/20	
Pump RXm 5/40	
Pump MCm 10/45	
Pump MCm 15/45	
Pump Tritus	





INSTALLATION PROCEDURES, MAINTENANCE AND WARRANTY

The client acknowledges to have received a copy of this and agrees.
The installation requirements should be read FIRST BEFORE placement.

In the event of loss by the customer of the installation requirements the customer must always ask for a new copy of the installation requirements at Boralit nv, or download them from the Boralit Web site.

INSTALLATION PROCEDURES IN CONSOLIDATED SAND

The pre-installation (laying the cables between the pumping station and the steering box, and between the Steering box and the power Board) shall be done by the client. As well as connecting the pumps, floating switches and alarm.

ATTENTION:

Our pumps are not suitable for pumping following products:

- pebbles
- grease
- pasta
- debris
- construction waste

Please take in that cases the appropriate measures.

Make sure that the installation is properly connected:

- the right floating switches on the right terminals of the control box.
- If the cables be extended:
 - use the right cable type (section, colors, ...)
 - use waterproof Sockets, with suitable cable glands, and pour them with resin
 - make sure that the cables are completely in the cable glands.
 - never leave the ends of the cables in water before connecting.
- Do not change the position of floating switches or the pumps.

Always install the facility as closely as possible to the contamination source to prevent the feeder pipe from clogging and causing blockages (excepted for rainwater tanks). Prepare a pit that is at least:

- 15 to 20 cm broader than the tank
- 15 to 20 cm deeper than the distance between the height of the inlet and the bottom of the tank.

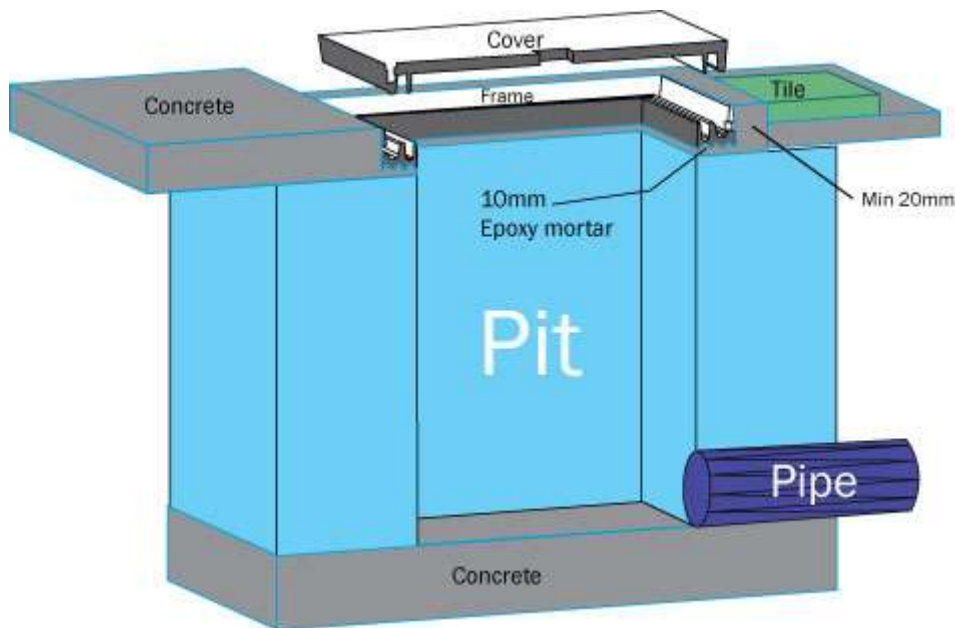
See to it that all groundwater or rainwater that might be present in the pit is pumped out before pouring consolidated sand into the pit. The bottom of the pit must be covered by at least 15 cm of consolidated sand of 150 Kg/m³ (*). Level (with a builder's level) the installation in the pit so the inlet is at the proper height to connect to the house drainpipe. Fill the installation with water and connect both the inlet and outlet, as well as the ventilation. Backfill the pit round the unit with at least 15 cm of consolidated sand of 150 Kg/m³ (*). Always introduce small amounts of consolidated sand, slightly press the sand to prevent distortion of the unit. Put at least 10 cm of consolidated sand of 150 Kg/m³ (*) on top of the grease trap. Install the PE-risers, which can be obtained from Boralit, on the unit until ground level is reached, and put the cover on (the grease traps must remain easily accessible for inspection and cleaning). In case vehicles might drive in the immediate surroundings of the installation, a sufficiently strong concrete slab must be installed. The concrete slab should not rest on the tank and should divert the pressure to the ground that has not been disturbed.

If our concrete risers are used, there must be taken into account with the following:

- After installing the pumping station, there should be a concrete slab installed above the plant (can also around the shaft, but not on the tank), which rests on the not excavated ground.
- Install one or multiple shafts according to the installation depth. If there is high water table, we recommend between the concrete slab and the shafts the swell seal.
- Install the concrete cover with a suitable lid.
- Fill around with sand/consolidated sand.

Installation watertight Hermelock cover:

- Frame must be installed on a flat, clean (free of dust and oil) and stable surface
- Always place the cover inside the frame (locked) before applying the surrounding material
- The unit needs to be surrounded by a strong stable material (concrete, asphalt, tiles...)
- If necessary, a thin layer of silicon may be applied to attach the seal to the cover. All locks should then be activated for the seal to be complete.
- Attention: the cover is only watertight if the groundwater level is lower then 30 cm.
- Example of placement of a Hermelock cover:



How to open the manhole cover:

In order to open the manhole cover, the cover has to be unbolted first. This can be done by unscrewing anticlockwise the Allen screws, until an impact is felt. Now the cover can be opened.

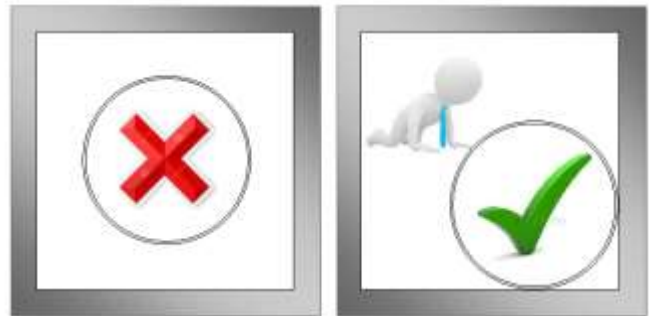
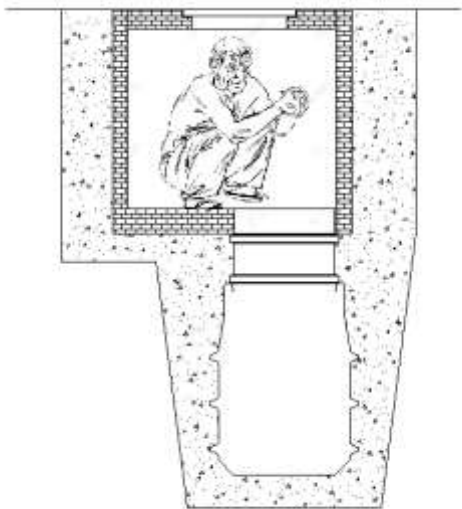
How to close the manhole cover:

proceed in the opposite way:

Place the cover into the frame and keep on screwing the screws clockwise until a resistance is felt and the cover remains bolted into its frame.

Please contact us in case of a temporary high groundwater level, and also if the tank becomes more deeply embedded in the ground than is permitted by the PE-riser.

The PE covers are only temporarily. They do not have a safety lock and can not stand the weight of persons or vehicles who might pass by. Make sure you get Boralit covers, to increase the security of persons or vehicles who cross the installation.



MAINTENANCE

We recommend to inspect the installation regularly (4 x per year), and remove obstructive parts. Clean the installation when to dirty.

WARRANTY

We offer a 10-year warranty on all our tank products as far as evident manufacturing faults are concerned. Failure to comply with installation procedures and guidelines voids warranty.
2-year warranty on all parts.

The warranty is void if the electrical connections are not skillfully performed.

The general sales and warranty conditions of Boralit count.

OTHER DOCUMENTS

These documents are also available:

- Range pumping stations.
- Data sheet TOP 1
- Data sheet TOP 2 en 5
- Data sheet RXm
- Data sheet MCM
- Data sheet Tritus
- Manual pump control 1 pump.
- Manual pump control 2 pumps
- Request for intervention.
- Data sheet determination of the pump type.



APPLICATION FORM TO DETERMAN YOUR PUMPING STATION.

A. Determination of the height:

VERTICAL DISTANCE between the exit of the pumping station and target point m.
HORIZONTAL DISTANCE between the exit of the pumping station and target point..... m.

B. What TYPE OF LIQUID does your pumping station have to manage?

- Clear rainwater
- Rainwater with small particles
- Septic water from the house
- Septic water after a septic tank
- Septic water coming from a wastewater treatment system

C. PEAK FLOW RATE

Number of population equivalents.....PE
Roof surface m²
Surface of outdoor terrains (parking lots, roads, terraces, ...)m²

D. NUMBER OF PUMPS DESIRED

1 - 2

E. NUMBER OF PUMPING STAIONS DESIRED in case of separated sewers.

1 - 2