



MUD TRAPS

MUD TRAPS

Standard version (to install in consolidated sand)

Reinforced version (to install in sand)



Table of contents

What is a mud trap	3
Advantages	3
Characteristics	3
Functioning	3
Installation requirements	7
Maintenance	8
Warranty	8
Other documents	8

The published rates are exclusive of VAT, and ex works.



WHAT ARE MUD TRAPS ?

What is the function of a mud trap ?

A mud trap is a system in the sewers, which serves to perceptible dirt from the waste water. This prevents certain undesirable substances clog or damage the sewer system.

ADVANTAGES:

Easy to install because of its light weight

Tanks are easy to clean because nothing sticks on PE. So entering the tank is not necessary.

Guaranteed watertight

Now possibility that roots grow trough the tank.

The tank is corrosion resistant.

The reinforced horizontal septic tanks equipped with 2 lifting eyes.

Equipped with a plastic cover that must be replaced by a steel ore plastic cover that meets the legislation.

All tanks have a welded riser.

CHARACTERISTICS

A **mud trap** removes sediments (sand, mud, grit, settable solids,...) from the wastewater.

The installation of a sediment collector may be necessary in the following circumstances and may be used together with a hydrocarbon and / or grease trap separator:

- In garages, car-washes, car parks,... These are places where there is always a chance that hydrocarbons might be discharged.
- In hotels, restaurants, bars, schools, butchers, caterers,.. These are places where there is always a change that vegetable or animal fats might be discharged along with other sediment.
- When there is a chance that sediments might enter an installation, causing blockage.

A mud trap or grease trap can be obligatory, please consults your national and / or local legislation and environmental regulations.

The minimum volume of the mud trap:

In combination with a hydrocarbon separator:

- Class 1 (slightly polluted water): 100 x the flow of the separator e.g. brand dealer.
- Class 2 (polluted water): 200 x the flow of the separator, e.g. car washes.
- Class 3 (heavily polluted water): 300 x the flow of the separator, e.g. cleaning of farming.

In combination with a grease trap:

- 40 liters per second of the grease trap, e.g. grease trap 10 l/s, mud trap = 400 liter.

The mud trap has been designed in accordance with the EN 1825-1 standard and meets with the following demands:

Liquid surface: 0,25 m² per liter per second

Retention time: 3 minutes

Performance: 92%

All are equipped with an adaptable riser.

Please contact our technical service to help with the calculation of the right mud trap.

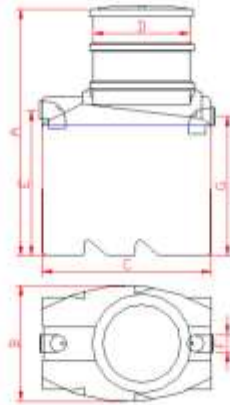
FUNCTIONING

The water loaded with sediment enters the tank by means of an anti-splash jet-nozzle. Because the sediment has a higher density (it is heavier) than the water in the tank, it starts to settle down. The water that flows out of the separator is nearly sediment-free.

Mud traps

Standard version – 300, 500 and 850 liter

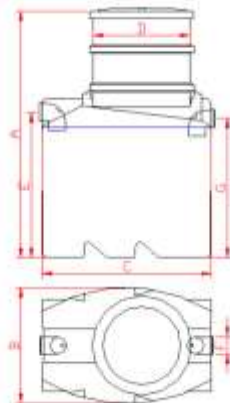
SV300



Installation in 15 cm consolidated sand	
Color	Black
Volume	300 liter
Flow rate	1,5 l/s
Volume mud trap	-
Length	830 mm (C)
Width	760 mm (B)
Height	1.550 mm (A)
Height in	915 mm (E)
Height out	875 mm (G)
Diameter in/out	110 mm (F)
Diameter manhole	600 mm (D)
Weight	35 kg
Price - C01	

Dimensions are in mm and informative. Subject to alterations.

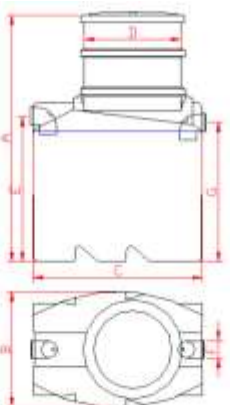
SV500



Installation in 15 cm consolidated sand	
Color	Black
Volume	500 liter
Flow rate	3 l/s
Volume mud trap	-
Length	1.100 mm (C)
Width	760 mm (B)
Height	1.550 mm (A)
Height in	915 mm (E)
Height out	875 mm (G)
Diameter in/out	110 mm (F)
Diameter manhole	600 mm (D)
Weight	55 kg
Price - C01	

Dimensions are in mm and informative. Subject to alterations.

SV850

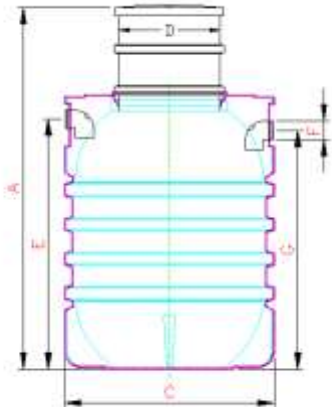


Installation in 15 cm consolidated sand	
Color	Black
Volume	850 liter
Flow rate	6 l/s
Volume mud trap	-
Length	1.500 mm (C)
Width	1.050 mm (B)
Height	1.550 mm (A)
Height in	915 mm (E)
Height out	875 mm (G)
Diameter in/out	110 mm (F)
Diameter manhole	600 mm (D)
Weight	90 kg
Price - C01	

Dimensions are in mm and informative. Subject to alterations.

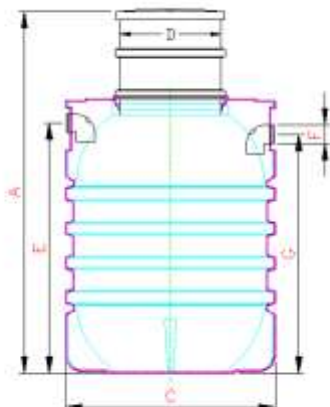
Reinforced version – 1.100, 1.600, 2.400, 3.300 and 6.000 liter

SV1100



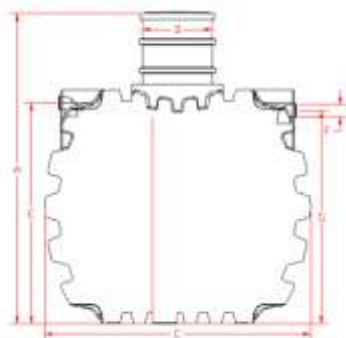
Installation in sand	
Color	Black
Volume	1.100 liter
Flow rate	1,5 l/s
Volume mud trap	-
Length	1.180 mm (C)
Width	1.180 mm (C)
Height	1.910 mm (A)
Height in	1.250 mm (E)
Height out	1.200 mm (G)
Diameter in/out	110 mm (F)
Diameter manhole	600 mm (D)
Weight	61 kg
Price - C01	
<small>Dimensions are in mm and informative. Subject to alterations.</small>	

SV1600



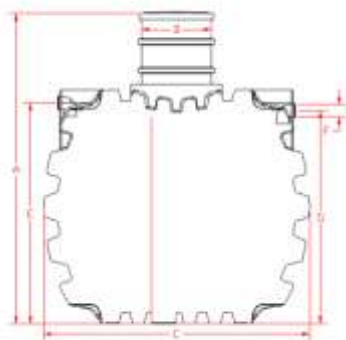
Installation in sand	
Color	Black
Volume	1.600 liter
Flow rate	3 l/s
Volume mud trap	-
Length	1.290 mm (C)
Width	1.290 mm (C)
Height	2.250 mm (A)
Height in	1.500 mm (E)
Height out	1.450 mm (G)
Diameter in/out	110 mm (F)
Diameter manhole	600 mm (D)
Weight	71 kg
Price - C01	
<small>Dimensions are in mm and informative. Subject to alterations.</small>	

SV2400



Installation in sand	
Color	Black
Volume	2.400 liter
Flow rate	6 l/s
Volume mud trap	-
Length	2.350 mm (C)
Width	1.350 mm
Height	1.850 mm (A)
Height in	1.220 mm (E)
Height out	1.180 mm (G)
Diameter in/out	125 mm (F)
Diameter manhole	600 mm (D)
Weight	110 kg
Price - C01	
<small>Dimensions are in mm and informative. Subject to alterations.</small>	

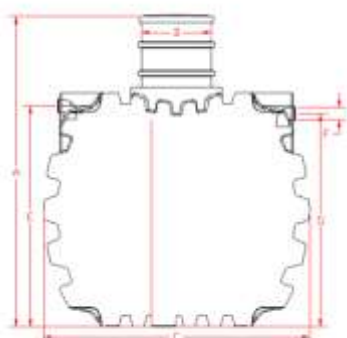
SV3300



Installation in sand	
Color	Black
Volume	3.300 liter
Flow rate	10 l/s
Volume mud trap	-
Length	2.390 mm (C)
Width	1.610 mm
Height	2.210 mm (A)
Height in	1.450 mm (E)
Height out	1.400 mm (G)
Diameter in/out	160 mm (F)
Diameter manhole	600 mm (D)
Weight	180 kg
Price - C01	

Dimensions are in mm and informative. Subject to alterations.

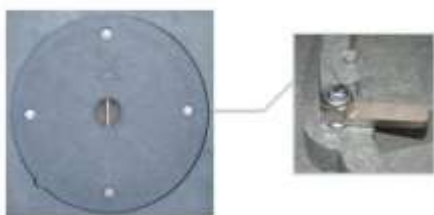
SV6000



Installation in sand	
Color	Black
Volume	6.000 liter
Flow rate	20 l/s
Volume mud trap	-
Length	2.400 mm (C)
Width	2.070 mm
Height	2.470 mm (A)
Height in	1.850 mm (E)
Height out	1.800 mm (G)
Diameter in/out	200 mm (F)
Diameter manhole	600 mm (D)
Weight	270 kg
Price - C01	

Dimensions are in mm and informative. Subject to alterations.

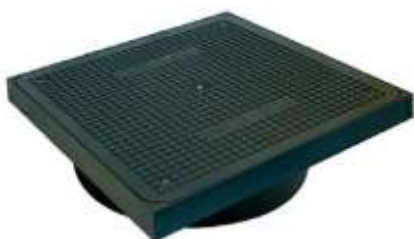
Plastic pedestrian cover Boralit: KDB C



Color	Gray
Length	700 mm
Width	700 mm
Height	145 mm
Diameter opening	590 mm
Weight	20 kg
Price - C05	

Dimensions are in mm and informative. Subject to alterations.

Plastic watertight cover: B125 Hermelock. Only for the reinforced tanks



Color	Black
Length	714 mm
Width	714 mm
Height	257 mm
Diameter opening	625 mm
Weight	27,1 kg
Price - C05	

Dimensions are in mm and informative. Subject to alterations.



Level alarm:

- KANA 3: SAND SET 1000. Gives a signal when the installed level is reached.

Type	Price – C05
Kana 3	

GSM module: sends an sms when an alarm message occurs on the KANA alarm

Type	Prijs – C05
GSM module	

INSTALLATION PROCEDURES, MAINTENANCE AND WARRANTY

**The client acknowledges to have received a copy of this and agrees.
The installation requirements should be read FIRST BEFOR placement.**

In the event of loss by the customer of the installation requirements the customer must always ask for a new copy of the installation requirements at Boralit nv, or download them from the Boralit Web site.

INSTALLATION PROCEDURES IN CONSOLIDATED SAND

They apply to the standard tanks.

Always install the facility as closely as possible to the contamination source to prevent the feeder pipe from clogging and causing blockages (excepted for rainwater tanks). Prepare a pit that is at least:

- 15 to 20 cm broader than the tank
- 15 to 20 cm deeper than the distance between the height of the inlet and the bottom of the tank.

See to it that all groundwater or rainwater that might be present in the pit is pumped out before pouring consolidated sand into the pit. The bottom of the pit must be covered by at least 15 cm of consolidated sand of 150 Kg/m³ (*). Level (with a builder's level) the grease trap in the pit so the inlet is at the proper height to connect to the house drainpipe. Fill the grease trap with water and connect both the inlet and outlet. Provide with correct and sufficiently large ventilation according to the type of unit and always with a minimum of 50 mm. Backfill the pit round the unit with at least 15 cm of consolidated sand of 150 Kg/m³ (*). Always introduce small amounts of consolidated sand, slightly press the sand to prevent distortion of the unit. Put at least 10 cm of consolidated sand of 150 Kg/m³ (*) on top of the grease trap. Install the PE-risers, which can be obtained from Boralit, on the unit until ground level is reached, and put the cover on (the grease traps must remain easily accessible for inspection and cleaning). In case vehicles might drive in the immediate surroundings of the installation, a sufficiently strong concrete slab must be installed. The concrete slab should not rest on the tank and should divert the pressure to the ground that has not been disturbed.

(* Please contact us in case of a temporary high groundwater level, and also if the tank becomes more deeply embedded in the ground than is permitted by the PE-riser.

INSTALLATION PROCEDURES IN REGULAR SAND

They apply to the reinforced tanks.

Follow above instructions and If there is no groundwater, the consolidated sand can be replaced by regular sand. Please contact us if the tank becomes more deeply embedded in the ground than is permitted by the PE-riser.

The PE covers are only temporarily. They do not have a safety lock and can not stand the weight of persons or vehicles who might pass by. Make sure you get Boralit covers, to increase the security of persons or vehicles who cross the installation.



MAINTENANCE

The storage capacity is limited. That means that the installation must be emptied regularly when the installation is saturated.

We advice to check the installation regularly and to remove all mud and sediment. If the tank has collected too much dirt, it has to be cleaned and refilled with water.

WARRANTY

We offer a 10-year warranty on all our tank products as far as evident manufacturing faults are concerned. Failure to comply with installation procedures and guidelines voids warranty. 2-year warranty on all parts.

The general sales and warranty conditions of Boralit count.

OTHER DOCUMENTS

These documents are also available:

- Range mud traps.
- Manual for alarm KANA 3