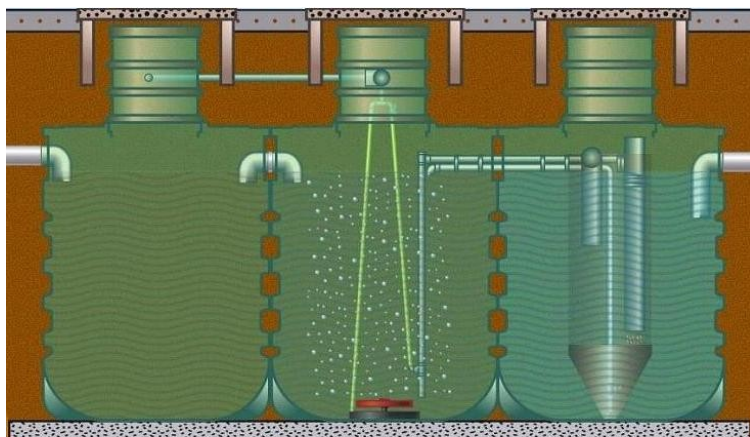


# WASTEWATER TREATMENT

ACCORDING TO - EN 12566-3



EN 12566-3



Voorbezinker

Beluchter

Nabezinker

## OPUR SUPERCOMPACT WASTEWATER TREATMENT

- Fully plastic, less corrosion than concrete, no concrete rot and no cracks
- Installation in sand
- Easy to adjust
- Light weight, so easy and cheap to install
- Standard build-in recirculation
- Choice of 2 monoblock models for families to 5 and 8 persons (5/3 and 8/3)
- Cheapest in maintenance
- Low sludge deposition, high treatment efficiency.
- Pump very low electrical consumption (± € 45/ year for 2 to 5 P.E.)
- Maintenance friendly: no lose parts
- No need of activators

**Boralit NV**

Nijverheidslaan 12 B-9880 Aalter - Belgium—2017

Tel.: + 32 (0)9 375 11 11 Fax: +32 (0)9 375 22 22

E-mail: [sales@boralit.com](mailto:sales@boralit.com)

[www.boralit.com](http://www.boralit.com)

**BORALIT**

plastic tank solutions

# WASTEWATER TREATMENT

## OPUR SUPER COMPACT



- INSTALLATION IN SAND
- MONOBLOCK
- ACCORDING TO EN 12566-3



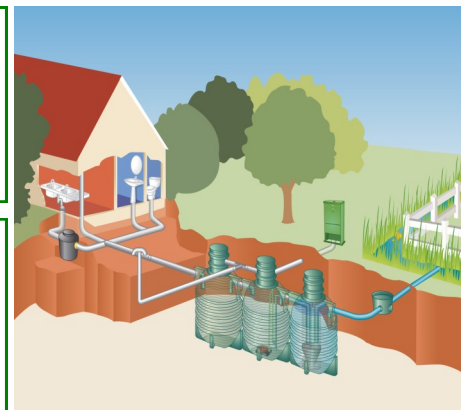
EN 12566-3

### OPUR SUPERCOMPACT 5/3

Number of P.E.: 2 - 5  
Total volume: 3.300 litre  
Length: 3.540 mm Width: 1.180 mm  
Height: 1.910 mm Weight: 165 kg

### OPUR SUPERCOMPACT 8/3

Number of P.E.: 5 - 8  
Total volume: 4.800 litre  
Length: 3.870 mm Width: 1.290 mm  
Height: 2.250 mm Weight: 195 kg



## OPUR SUPER COMPACT For Wallonië

- INSTALLATION IN SZAND
- WITH AGRÉMENT



### OPUR SUPERCOMPACT 5/3 2015/09/103/A

Number of P.E.: 2 - 5  
Total volume: 1 x 3.300 litre and 2 x 1.100 litre  
Length: 2.390 and 2.360 mm Width: 1.610 and 1.180 mm  
Height: 2.210 and 1.910 mm Weight: 180 and 110 kg

### OPUR SUPERCOMPACT 8/3 2015/09/104/A

Number of P.E.: 5 - 8  
Total volume : 1 x 6.000 litre and 2 x 1.600 litre  
Length: 2.400 and 2.580 mm Width: 2.070 and 1.290 mm  
Height: 2.470 and 2.250 mm Weight: 270 and 130 kg

### OPTIONS

- Sample pit
- Boralit plastic pedestrian cover (Class A15)
- RVS pump house
- Telemetries



De afmetingen zijn in mm en informatief. Wijzigingen voorbehouden.

### Boralit NV

Nijverheidslaan 12 B-9880 Aalter - Belgium—2017

Tel.: +32 (0)9 375 11 11 Fax: +32 (0)9 375 22 22

E-mail: sales@boralit.com

www.boralit.com

# BORALIT

plastic tank solutions

# WASTEWATER TREATMENT

## OPUR SUPER COMPACT MB



- INSTALLATION IN SAND
- MONOBLOCK
- ACCORDING TO EN 12566-3



### OPUR SUPERCOMPACT MB5

Number of P.E.: 2 - 5  
Total volume: 4.400 litre  
Length: 2.360 mm    Width: 2.360 mm  
Height: 1.900 mm    Weight: 330 kg

### OPUR SUPERCOMPACT MB7

Number of P.E.: 5 - 7  
Total volume: 6.400 litre  
Length: 2.580 mm    Width: 2.580 mm  
Height: 2.250 mm    Weight: 370 kg

## BORA-CLEAN filter



- INSTALLATION IN SAND
- MONOBLOCK
- ACCORDING TO EN 12566-3

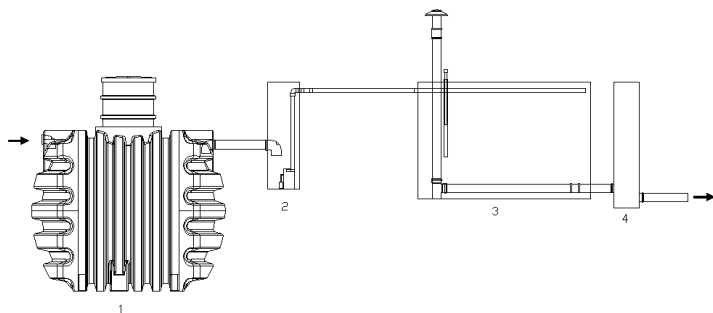
### BORA-CLEAN FILTER 5

Number of P.E.: 0 - 5  
Volume pre-treatment: 6.000 litre  
Volume filter: 4.600 litre  
Length filter: 2.040 mm    Width filter: 2.040 mm  
Height filter: 1.200 mm    Weight without medium: 45 kg  
Existing of 3D EPDM film filled with a natural medium.  
Very small surface  
Very low energy consumption



### OPTION

- Dispense for installation up to 5 systems in parallel
- Extendable up to 25 PE



De afmetingen zijn in mm en informatief. Wijzigingen voorbehouden.

### Boralit NV

Nijverheidslaan 12 B-9880 Aalter - Belgium—2017

Tel.: + 32 (0)9 375 11 11 Fax: +32 (0)9 375 22 22

E-mail: sales@boralit.com

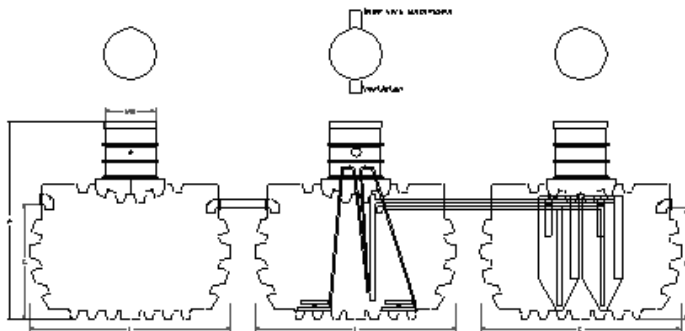
www.boralit.com

# BORALIT

plastic tank solutions

# WASTEWATER TREATMENT

## WZ FROM 8 TO 30 PERSONS.



### **WZ12/3 CE**

Number of P.E.: 12  
Total volume: 3 x 2.400 litre  
Length: 2.350 mm    Width: 2.350 mm  
Height: 1.850 mm    Weight: 400 kg

### **WZ16/3 CE**

Number of P.E.: 16  
Total volume: 3 x 3.300 litre  
Length: 2.390 mm    Width: 1.610 mm  
Height: 2.210 mm    Weight: 620 kg

### **WZ22/3 CE**

Number of P.E.: 22  
Total volume: 3 x 6.000 litre  
Length: 2.400 mm    Width: 2.070 mm  
Height: 2.470mm    Weight: 920 kg

### **WZ30/3 CE**

Number of P.E.: 30  
Total volume : 3 x 6.000 litre  
Length: 2.400 mm    Width: 2.070 mm  
Height: 2.470mm    Weight: 945 kg

### **OPTIES**

- Sample pit
- Borolit plastic pedestrian cover (Class A15)
- RVS pump house
- Telemetries

## KARAKTERISTICS

The system is standard 3 tanks, i.e.. a pre-treatment (primary sedimentation), an aeration and a settling tank (secondary sedimentation). If you already have a septic tank with enough volume and good quality , you can become a wastewater treatment without pre-treatment. The septic tank must have the CE label.

De afmetingen zijn in mm en informatief. Wijzigingen voorbehouden.

### **Boralit NV**

Nijverheidslaan 12 B-9880 Aalter - Belgium—2017

Tel.: + 32 (0)9 375 11 11 Fax: +32 (0)9 375 22 22

E-mail: sales@boralit.com

www.boralit.com

# BORALIT

plastic tank solutions