



RAINWATERTANKS

Round rainwater tanks

Standard version

ECO version

Rectangular rainwater tanks

Standard version

ECO version

Reinforced vertical rainwater tanks

Reinforced horizontal rainwater tanks

Flat rainwater tanks

Above ground rainwater tanks



Table of contents

Earn money with rainwater	3
Advantages	3
Characteristics	4
Functioning	4
Underground rainwater tanks	5
Round rainwater tanks	5
Rectangular rainwater tanks	9
Reinforced vertical rainwater tanks	12
Reinforced horizontal rainwater tanks	12
Flat rainwater tanks	14
Above ground rainwater tanks	15
Installation requirements for rainwater tanks	17
Maintenance	18
Guarantee	18
Other documents	18

The published rates are exclusive of VAT, and ex works.



EARN MONEY WITH RAINWATER.

Why would you still pay to expensive tap water, if it is free with rain water ?

Rain water can be used for the toilets, the washing machine, spraying the garden, ...

Create the account and you come to the conclusion that your water usage can go down by 50%!

Discover our extensive range of **rainwater tanks**, different types of **rainwater filters**, and also a range of **pumps** to get the rain water in the home.

ADVANTAGES:

Easy to install because of its light weight

Tanks are easy to clean because nothing sticks on PE. So entering the tank is not necessary.

Guarantied watertight

Now possibility that roots grow trough the tank.

The tank is corrosion resistant.

The standard septic tank of 5.000 liter is equipped with a lifting cord.

The reinforced horizontal septic tanks equipped with 2 lifting eyes.

Equipped with a plastic cover that must be replaced by a steel ore plastic cover that meets the legislation.

The reinforced vertical and horizontal septic tanks have a welded riser.



CHARACTERISTICS

A rainwater tank collects the water coming from the roof gutters and stores it for future use. This water can be used as follows:

- To water plants
- To wash cars
- To flush toilets
- ...

And, subject to the installation of appropriate filters, it can be used for the washing machine, the dishwasher, bath, shower, and drinking water, ... Please contact our technical service to calculate the ideal tank volume.

FUNCTIONING

A rainwater tank collects the water coming from the gutter. The tank will gradually fill up. As soon as it is full, the surplus water will overflow into the sewer or into a canal. It is important that the water collected is as clean as possible. Any leaves entering the tank will start to rot and cause an unpleasant odor. By installing a rainwater filter, the number of times the tank has to be cleaned, will be greatly reduced.

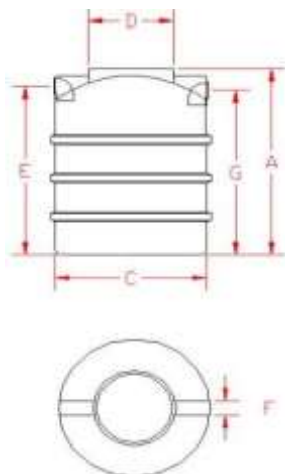
Several rainwater tanks can be coupled together to obtain a larger capacity. In this case we will provide a PVC coupling screw at the bottom of the tank. A flexible coupling of 1 meter (or, on demand, even longer) will be supplied. It is glued into the coupling screws. Our commercial service will inform you concerning the possibilities to couple.

Boralit can also offer tanks which are fully equipped for rainwater recycling. These tanks are available with a volume of 2.400, 3.300 and 6.000 liters.

Underground rainwater tanks Round rainwater tanks

Standard version and ECO version – 1.000, 1.500, 2.000, 3.000 and 5.000 liter.

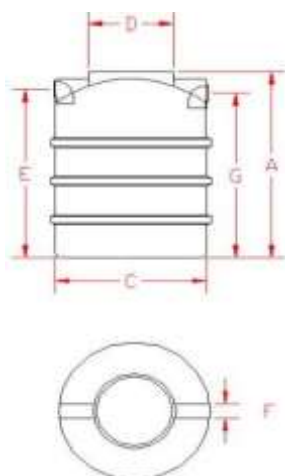
RW1000



Installation in 15 cm consolidated sand	
Color	Black
Volume	1.000 liter
Length	1.015 mm
Width	1.015 mm
Height	1.260 mm
Height in	1.065 mm
Height out	1.085 mm
Diameter in/out	110 mm
Diameter manhole	500 mm
Weight	36 kg
Price – A02	

Dimensions are in mm and informative. Subject to alterations.

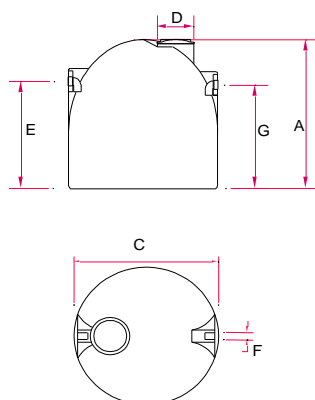
RW1000 ECO



Installation in 30 cm consolidated sand	
Color	Green
Volume	1.000 liter
Length	1.015 mm
Width	1.015 mm
Height	1.260 mm
Height in	1.065 mm
Height out	1.085 mm
Diameter in/out	110 mm
Diameter manhole	500 mm
Weight	30 kg
Price – A02	

Dimensions are in mm and informative. Subject to alterations.

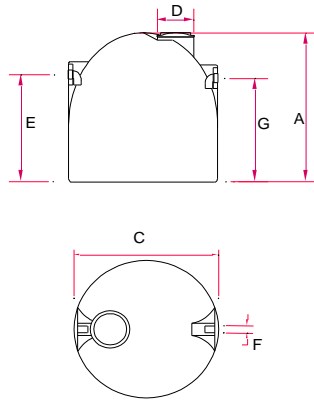
RW1500



Installation in 15 cm consolidated sand	
Color	Black
Volume	1.500 liter
Length	1.260 mm
Width	1.260 mm
Height	1.570 mm
Height in	1.305 mm
Height out	1.265 mm
Diameter in/out	110 mm
Diameter manhole	500 mm
Weight	50 kg
Price – A02	

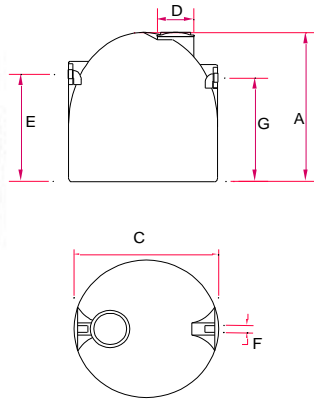
Dimensions are in mm and informative. Subject to alterations.

RW1500 ECO



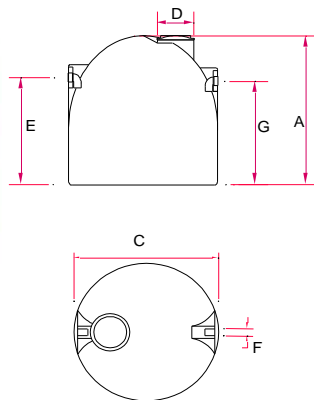
Installation in 30 cm consolidated sand	
Color	Green
Volume	1.500 liter
Length	1.260 mm
Width	1.260 mm
Height	1.570 mm
Height in	1.305 mm
Height out	1.265 mm
Diameter in/out	110 mm
Diameter manhole	500 mm
Weight	50 kg
Price – A02	
<small>Dimensions are in mm and informative. Subject to alterations.</small>	

RW2000



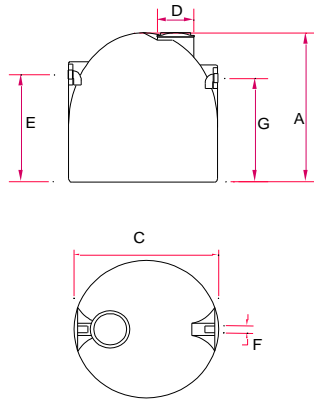
Installation in 15 cm consolidated sand	
Color	Black
Volume	2.000 liter
Length	1.700 mm
Width	1.700 mm
Height	1.510 mm
Height in	1.305 mm
Height out	1.225 mm
Diameter in/out	110 mm
Diameter manhole	500 mm
Weight	80 kg
Price – A02	
<small>Dimensions are in mm and informative. Subject to alterations.</small>	

RW2000 ECO



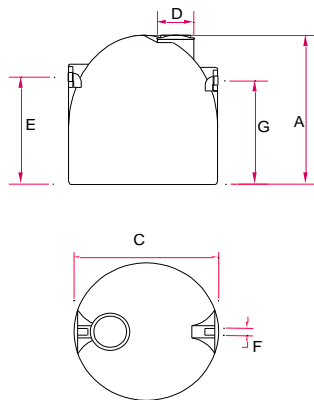
Installation in 30 cm consolidated sand	
Color	Green
Volume	2.000 liter
Length	1.700 mm
Width	1.700 mm
Height	1.510 mm
Height in	1.305 mm
Height out	1.225 mm
Diameter in/out	110 mm
Diameter manhole	500 mm
Weight	65 kg
Price – A02	
<small>Dimensions are in mm and informative. Subject to alterations.</small>	

RW3000



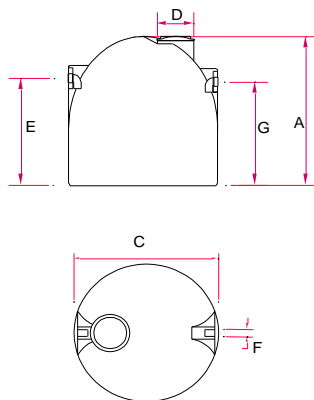
Installation in 15 cm consolidated sand	
Color	Black
Volume	3.000 liter
Length	1.700 mm
Width	1.700 mm
Height	1.940 mm
Height in	1.745 mm
Height out	1.645 mm
Diameter in/out	110 mm
Diameter manhole	500 mm
Weight	130 kg
Price – A02	
<small>Dimensions are in mm and informative. Subject to alterations.</small>	

RW3000 ECO



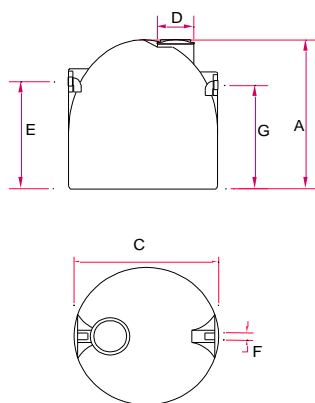
Installation in 30 cm consolidated sand	
Color	Green
Volume	3.000 liter
Length	1.700 mm
Width	1.700 mm
Height	1.940 mm
Height in	1.745 mm
Height out	1.645 mm
Diameter in/out	110 mm
Diameter manhole	500 mm
Weight	90 kg
Price – A02	
<small>Dimensions are in mm and informative. Subject to alterations.</small>	

RW5000



Installation in 15 cm consolidated sand	
Color	Black
Volume	5.000 liter
Length	2.100 mm
Width	2.100 mm
Height	1.970 mm
Height in	1.562 mm
Height out	1.522 mm
Diameter in/out	125 mm
Diameter manhole	500 mm
Weight	200 kg
Price – A02	
<small>Dimensions are in mm and informative. Subject to alterations.</small>	

RW5000 ECO



Installation in 30 cm consolidated sand	
Color	Green
Volume	5.000 liter
Length	2.100 mm
Width	2.100 mm
Height	1.970 mm
Height in	1.562 mm
Height out	1.522 mm
Diameter in/out	125 mm
Diameter manhole	500 mm
Weight	180 kg
Price – A02	

Dimensions are in mm and informative. Subject to alterations.

Options



Adjustable riser: VHSP600/420

Color	Black
Height	420 mm
Diameter	570 mm
Weight	8 kg
Price - A05	

Dimensions are in mm and informative. Subject to alterations.



Connecting set for rainwater tanks

Diameter	50 mm
Standard length tube	1.000 mm
Price – A05	€ 237,99
Price per extra meter – A05	

Dimensions are in mm and informative. Subject to alterations.

Replacement parts

Part	Price – A05
PE cover 500 mm	

Rectangular rainwater tanks

Standard version and ECO version – 1.000, 1.500, 2.000 end 3.000 liter.

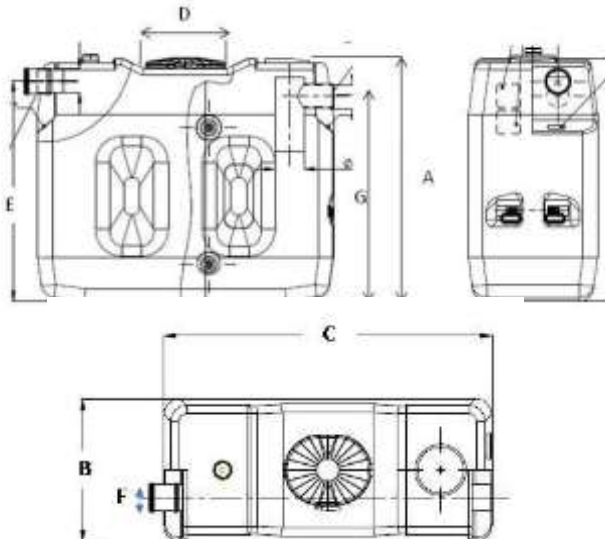
RW1000 RH



Installation in 15 cm consolidated sand	
Color	Black
Volume	1.000 liter
Length	1.180 mm
Width	740 mm
Height	1.350 mm
Height in	1.230 mm
Height out	1.190 mm
Diameter in/out	110 mm
Diameter manhole	500 mm
Weight	55 kg
Price – A02	

Dimensions are in mm and informative. Subject to alterations.

RW1000 RH ECO



Installation in 30 cm consolidated sand	
Color	Black
Volume	1.000 liter
Length	1.235 mm
Width	720 mm
Height	1.250 mm
Height in	1.150 mm
Height out	1.110 mm
Diameter in/out	110 mm
Diameter manhole	500 mm
Weight	56 kg
Price – A02	

Dimensions are in mm and informative. Subject to alterations.

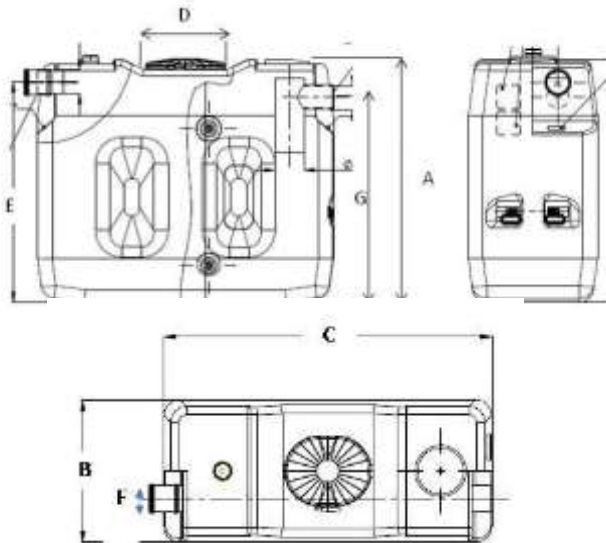
RW1500 RH



Installation in 15 cm consolidated sand	
Color	Black
Volume	1.500 liter
Length	1.810 mm
Width	740 mm
Height	1.350 mm
Height in	1.230 mm
Height out	1.190 mm
Diameter in/out	110 mm
Diameter manhole	500 mm
Weight	100 kg
Price – A02	

Dimensions are in mm and informative. Subject to alterations.

RW1500 RH ECO



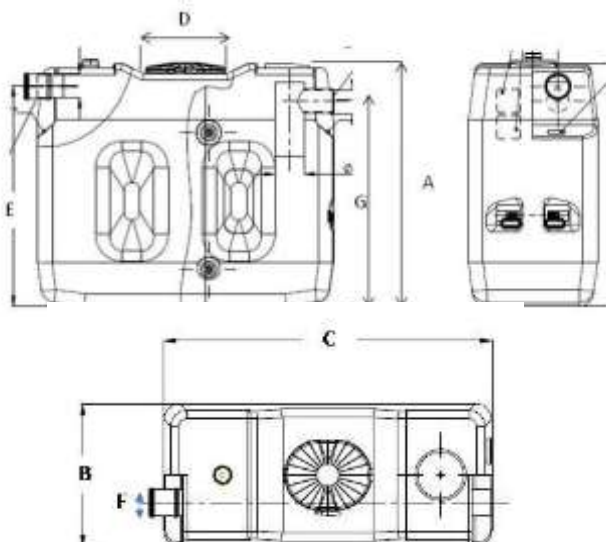
Installation in 30 cm consolidated sand	
Color	Black
Volume	1.500 liter
Length	1.880 mm
Width	720 mm
Height	1.480 mm
Height in	1.320 mm
Height out	1.280 mm
Diameter in/out	110 mm
Diameter manhole	500 mm
Weight	75 kg
Price – A02	
<small>Dimensions are in mm and informative. Subject to alterations.</small>	

RW2000 RH



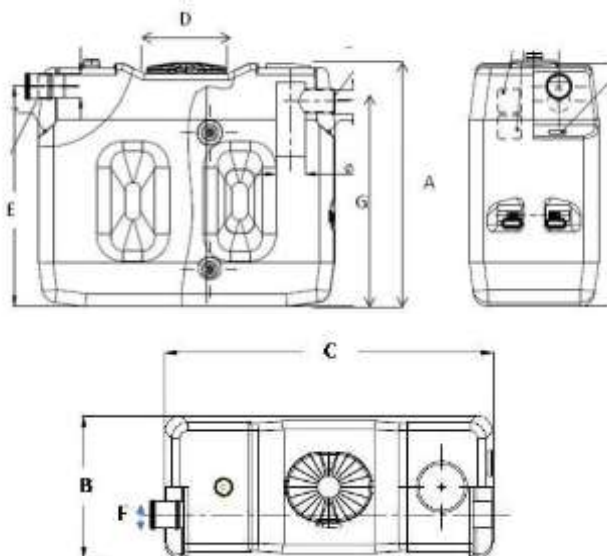
Installation in 15 cm consolidated sand	
Color	Black
Volume	2.000 liter
Length	2.450 mm
Width	740 mm
Height	1.350 mm
Height in	1.230 mm
Height out	1.190 mm
Diameter in/out	110 mm
Diameter manhole	500 mm
Weight	120 kg
Price – A02	
<small>Dimensions are in mm and informative. Subject to alterations.</small>	

RW2000 RH ECO



Installation in 30 cm consolidated sand	
Color	Black
Volume	2.000 liter
Length	2.020 mm
Width	880 mm
Height	1.650 mm
Height in	1.500 mm
Height out	1.450 mm
Diameter in/out	110 mm
Diameter manhole	500 mm
Weight	90 kg
Price – A02	
<small>Dimensions are in mm and informative. Subject to alterations.</small>	

RW3000 RH ECO



Installation in 30 cm consolidated sand	
Color	Black
Volume	3.000 liter
Length	2.630 mm
Width	880 mm
Height	1.700 mm
Height in	1.500 mm
Height out	1.450 mm
Diameter in/out	110 mm
Diameter manhole	500 mm
Weight	120 kg
Price – A02	

Dimensions are in mm and informative. Subject to alterations.

Options for standard versions



Adjustable riser: VHSP500/600

Color	Black
Height	600 mm
Diameter	500 mm
Weight	7 kg
Price - A05	

Dimensions are in mm and informative. Subject to alterations.

Options for ECO versions



Adjustable riser: VHECO

Color	Black
Height	600 mm
Diameter	600 mm
Weight	15 kg
Price - A05	

Dimensions are in mm and informative. Subject to alterations.



Telescopic riser: VHRBECO

Color	Black
Height	600/950 mm
Diameter	600 mm
Weight	17 kg
Price - A05	

Dimensions are in mm and informative. Subject to alterations.

Connecting set for rainwater tanks

Diameter	50 mm
Standard length tube	1.000 mm
Price – A05	€ 237,99
Price per extra meter – A05	

Dimensions are in mm and informative. Subject to alterations.

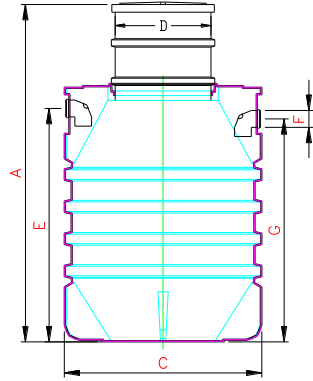
Replacement parts

Part	Price – A05
PE cover 600 mm for the standard version	

Reinforced vertical rainwater tanks

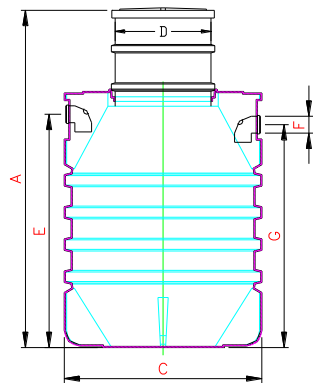
Reinforced version – 1.100 and 1.600 liter.

RW1100



Installation in sand	
Color	Black
Volume	1.100 liter
Length	1.180 mm
Width	1.180 mm
Height	1.910 mm
Height in	1.250 mm
Height out	1.200 mm
Diameter in/out	110 mm
Diameter manhole	600 mm
Weight	70 kg
Price – A02	
<small>Dimensions are in mm and informative. Subject to alterations.</small>	

RW1600

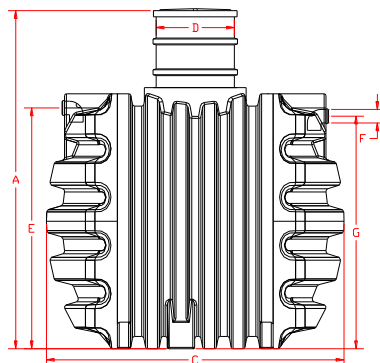


Installation in sand	
Color	Black
Volume	1.600 liter
Length	1.290 mm
Width	1.290 mm
Height	2.200 mm
Height in	1.500 mm
Height out	1.450 mm
Diameter in/out	110 mm
Diameter manhole	600 mm
Weight	80 kg
Price – A02	
<small>Dimensions are in mm and informative. Subject to alterations.</small>	

Reinforced horizontal rainwater tanks

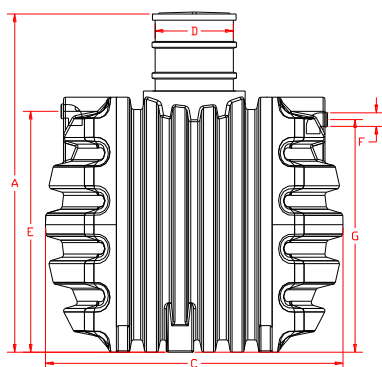
Reinforced version – 2.400, 3.300 and 6.000 liter.

RW2400



Installation in sand	
Color	Black
Volume	2.400 liter
Length	2.350 mm
Width	1.350 mm
Height	1.900 mm
Height in	1.220 mm
Height out	1.180 mm
Diameter in/out	110 mm
Diameter manhole	600 mm
Weight	120 kg
Price – A02	
<small>Dimensions are in mm and informative. Subject to alterations.</small>	

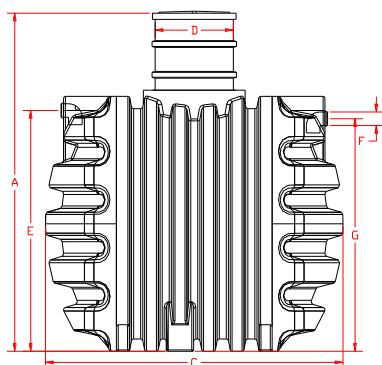
RW3300



Installation in sand	
Color	Black
Volume	3.300 liter
Length	2.390 mm
Width	1.610 mm
Height	2.200 mm
Height in	1.450 mm
Height out	1.400 mm
Diameter in/out	110 mm
Diameter manhole	600 mm
Weight	190 kg
Price – A02	

Dimensions are in mm and informative. Subject to alterations.

RW6000



Installation in sand	
Color	Black
Volume	6.000 liter
Length	2.400 mm
Width	2.070 mm
Height	2.500 mm
Height in	1.850 mm
Height out	1.800 mm
Diameter in/out	125 mm
Diameter manhole	600 mm
Weight	290 kg
Price – A02	

Dimensions are in mm and informative. Subject to alterations.

Options



Adjustable riser: VHSC600/1200

Color	Black
Height	1.200 mm
Diameter	600 mm
Weight	22 kg
Price - A05	

Dimensions are in mm and informative. Subject to alterations.

Telescopic riser: VHRB600/120-480

Color	Black
Height	120-480 mm
Diameter	600 mm
Weight	5,5 kg
Price - A05	

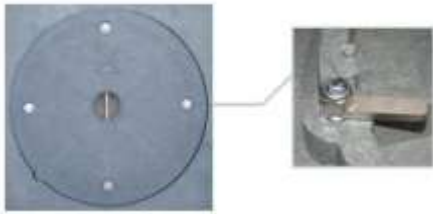
Dimensions are in mm and informative. Subject to alterations.

Connecting set for rainwater tanks

Diameter	50 mm
Standard length tube	1.000 mm
Price – A05	
Price per extra meter – A05	

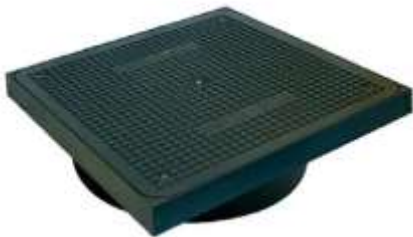
Dimensions are in mm and informative. Subject to alterations.

Plastic pedestrian cover Boralit: KDB A. Only for the reinforced tanks



Color	Gray
Length	700 mm
Width	700 mm
Height	145 mm
Diameter opening	590 mm
Weight	20 kg
Price - A05	
<small>Dimensions are in mm and informative. Subject to alterations.</small>	

Plastic watertight cover: B125 Hermelock. Only for the reinforced tanks



Color	Black
Length	714 mm
Width	714 mm
Height	257 mm
Diameter opening	625 mm
Weight	27,1 kg
Price – A05	
<small>Dimensions are in mm and informative. Subject to alterations.</small>	

Flat rainwater tanks

Standard version – 1.500, 2.500 and 5.000 liter.

FL1500



Installation in 15 cm consolidated sand	
Color	Black
Volume	1.500 liter
Length	2.350 mm
Width	1.395 mm
Height tank	765 mm
Height total	765-1.195 mm
Height in	675 mm
Height out	675 mm
Diameter in/out	110 mm
Diameter manhole	676 mm
Weight	80 kg
Price - A02	
<small>De afmetingen zijn in mm en informatief. Wijzigingen voorbehouden.</small>	

FL3500



Installation in 15 cm consolidated sand	
Color	Black
Volume	3.500 liter
Length	2.350 mm
Width	2.300 mm
Height tank	975 mm
Height total	975-1.675 mm
Height in	880 mm
Height out	880 mm
Diameter in/out	110 mm
Diameter manhole	676 mm
Weight	140 kg
Price - A02	
<small>De afmetingen zijn in mm en informatief. Wijzigingen voorbehouden.</small>	

FL5000



Installation in 15 cm consolidated sand	
Color	Black
Volume	5.000 liter
Length	2.435 mm
Width	2.300 mm
Height tank	1.350 mm
Height total	1.350-2.050 mm
Height in	1.240 mm
Height out	1.240 mm
Diameter in/out	110 mm
Diameter manhole	76 mm
Weight	170 kg
Price - A02	
<small>De afmetingen zijn in mm en informatief. Wijzigingen voorbehouden.</small>	

Options



Riser: FL RVH 500

Color	Black
Height	500 mm
Diameter	676 mm
Weight	7 kg
Price - A05	
<small>De afmetingen zijn in mm en informatief. Wijzigingen voorbehouden.</small>	

Above ground rainwater tanks

Standard version – 1.100, 1.500, 2.000, 2.500, 3.000 and 4.000 liter.

OP1100



Installation above ground	
Color	White
Volume	1.100 liter
Length	1.400 mm
Width	720 mm
Height	1.400 mm
Height in*	1.120 mm
Height out*	1.090 mm
Diameter manhole	400 mm
Weight	55 kg
Price – G01	
<small>Dimensions are in mm and informative. Subject to alterations.</small>	

OP1500



Installation above ground	
Color	White
Volume	1.500 liter
Length	1.540 mm
Width	720 mm
Height	1.625 mm
Height in*	1.390 mm
Height out*	1.360 mm
Diameter manhole	400 mm
Weight	80 kg
Price – G01	
<small>Dimensions are in mm and informative. Subject to alterations.</small>	

OP2000



Installation above ground	
Color	White
Volume	2.000 liter
Length	2.070 mm
Width	720 mm
Height	1.690 mm
Height in*	1.370 mm
Height out*	1.340 mm
Diameter manhole	400 mm
Weight	110 kg
Price – G01	

Dimensions are in mm and informative. Subject to alterations.

OP2500



Installation above ground	
Color	White
Volume	2.500 liter
Length	1.870 mm
Width	995 mm
Height	1.650 mm
Height in*	1.320 mm
Height out*	1.290 mm
Diameter manhole	400 mm
Weight	115 kg
Price – G01	

Dimensions are in mm and informative. Subject to alterations.

OP3000



Installation above ground	
Color	White
Volume	3.000 liter
Length	2.230 mm
Width	995 mm
Height	1.650 mm
Height in*	1.300 mm
Height out*	1.270 mm
Diameter manhole	400 mm
Weight	165 kg
Price – G01	

Dimensions are in mm and informative. Subject to alterations.

OP4000



Installation above ground	
Color	White
Volume	4.000 liter
Length	2.430 mm
Width	995 mm
Height	1.950 mm
Height in*	1.560 mm
Height out*	1.530 mm
Diameter manhole	400 mm
Weight	235 kg
Price – G01	

Dimensions are in mm and informative. Subject to alterations.

Options

Part	Price – G01
In or out 110 mm	
In or out 125 mm	
Flange 2"	
Basic set excl tap	
Extension set excl tap	
Basic set incl tap	
Extension set incl tap	

* Option

INSTALLATION PROCEDURES, MAINTENANCE AND WARRANTY

The client acknowledges to have received a copy of this and agrees.
The installation requirements should be read FIRST BEFOR placement.

In the event of loss by the customer of the installation requirements the customer must always ask for a new copy of the installation requirements at Boralit nv, or download them from the Boralit Web site.

INSTALLATION PROCEDURES IN CONSOLIDATED SAND

They apply to the round, rectangular rainwater tanks.

Always install the facility as closely as possible to the contamination source to prevent the feeder pipe from clogging and causing blockages (excepted for rainwater tanks). Prepare a pit that is at least:

- 15 to 20 cm broader than the tank (for series ECO: 30 cm)
- 15 to 20 cm deeper than the distance between the height of the inlet and the bottom of the tank. (for series ECO: 30 cm)

See to it that all groundwater or rainwater that might be present in the pit is pumped out before pouring consolidated sand into the pit. The bottom of the pit must be covered by at least 15 cm of consolidated sand of 150 Kg/m³ (for series ECO: 30 cm) (*). Level (with a builder's level) the grease trap in the pit so the inlet is at the proper height to connect to the house drainpipe. Fill the grease trap with water and connect both the inlet and outlet. Provide with correct and sufficiently large ventilation according to the type of unit and always with a minimum of 50 mm. Backfill the pit round the unit with at least 15 cm of consolidated sand of 150 Kg/m³ (*). Always introduce small amounts of consolidated sand, slightly press the sand to prevent distortion of the unit. Put at least 10 cm of consolidated sand of 150 Kg/m³(for series ECO: 30 cm) (*) on top of the grease trap. Install the PE-risers, which can be obtained from Boralit, on the unit until ground level is reached, and put the cover on (the grease traps must remain easily accessible for inspection and cleaning). In case vehicles might drive in the immediate surroundings of the installation, a sufficiently strong concrete slab must be installed. The concrete slab should not rest on the tank and should divert the pressure to the ground that has not been disturbed.

(*) Please contact us in case of a temporary high groundwater level, and also if the tank becomes more deeply embedded in the ground than is permitted by the PE-riser.

INSTALLATION PROCEDURES IN REGULAR SAND

They apply to the reinforced vertical and horizontal rainwater tanks.

Follow above instructions and If there is no groundwater, the consolidated sand can be replaced by regular sand. Please contact us if the tank becomes more deeply embedded in the ground than is permitted by the PE-riser.

The PE covers are only temporarily. They do not have a safety lock and can not stand the weight of persons or vehicles who might pass by. Make sure you get Boralit covers, to increase the security of persons or vehicles who cross the installation.



MAINTENANCE

The installation should be cleaned regularly. Rotten leaves may cause an unpleasant odor.

WARRANTY

We offer a 10-year warranty on all our tank products as far as evident manufacturing faults are concerned. Failure to comply with installation procedures and guidelines voids warranty.
2-year warranty on all parts.

The general sales and warranty conditions of Boralit count.

OTHER DOCUMENTS

These documents are also available:

- Range rainwater tanks.
- Data sheet flat rainwater tanks.
- Data sheet above ground rainwater tanks.
- Determination of the necessary volume of the rainwater tank
- Possibilities of connecting
- Manual for connecting above ground tanks
- Catalogue rainwater filters and pumps.