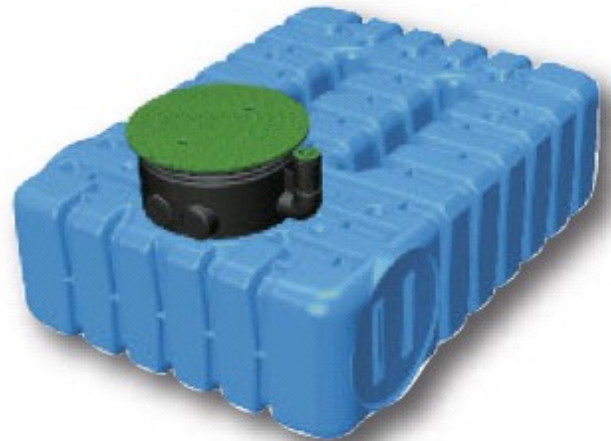


# CLEARWATER Flat rainwater tank

**NEW**

**Clearwater** Plastic (PE) rainwater tank for the storage and reuse of rainwater. The basic model is a tank of 2.500 L with followed specifications :

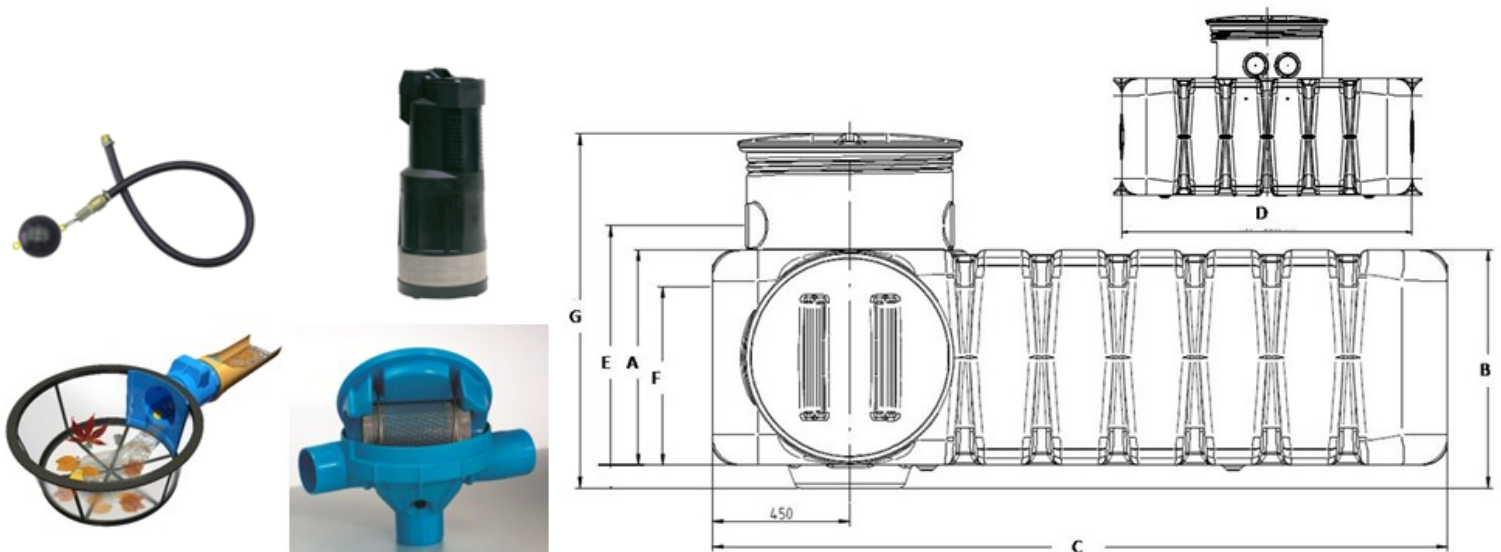
- ◆ Volume : 2.500 L
- ◆ Weight: 130 kg
- ◆ Total installing depth 1.125 mm
- ◆ To install in sand
- ◆ Removable riser, so the tank can pass trough a door
- ◆ Separate inlet for external suction tube
- ◆ White inner site for optimal maintenance
- ◆ Child resistant screw cover



**Standard package :** Tank 2.500 L + riser + screw cover+ slow-flow + siphon

Basic model is extendable to 5.000 L, where 2 tanks are welded together and with an opening of 650 mm between them.

**Options :** floating suction, Aquadiver build-in pump, filter basket, sinus filter, extension riser 15 or 30 cm.



| Type    | Inhoud  | A   | B   | C     | D     | E   | F   | G     | In/Uit | Kg  |
|---------|---------|-----|-----|-------|-------|-----|-----|-------|--------|-----|
| CL 2500 | 2.500 L | 700 | 775 | 2.400 | 1.750 | 780 | 580 | 1.125 | 110    | 130 |
| CL 5000 | 5.000 L | 770 | 775 | 2.400 | 3.500 | 780 | 580 | 1.125 | 110    | 250 |

**Boralit NV**

Nijverheidslaan 12 B-9880 Aalter - Belgium—2017

Tel.: + 32 (0)9 375 11 11 Fax: +32 (0)9 375 22 22

E-mail: sales@boralit.com

www.boralit.com

**BORALIT**  
plastic tank solutions